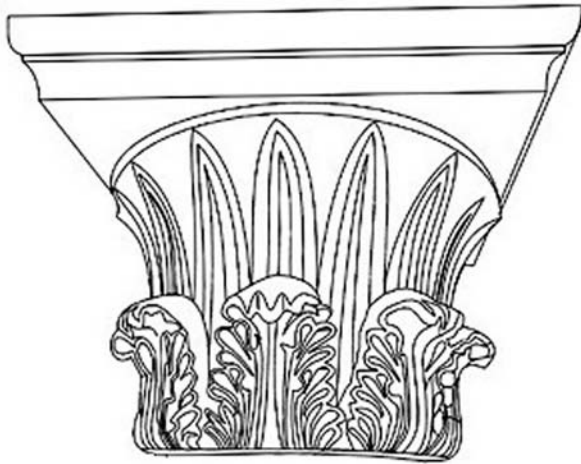




Temple Winds Capital IPTW018 FiberComp™

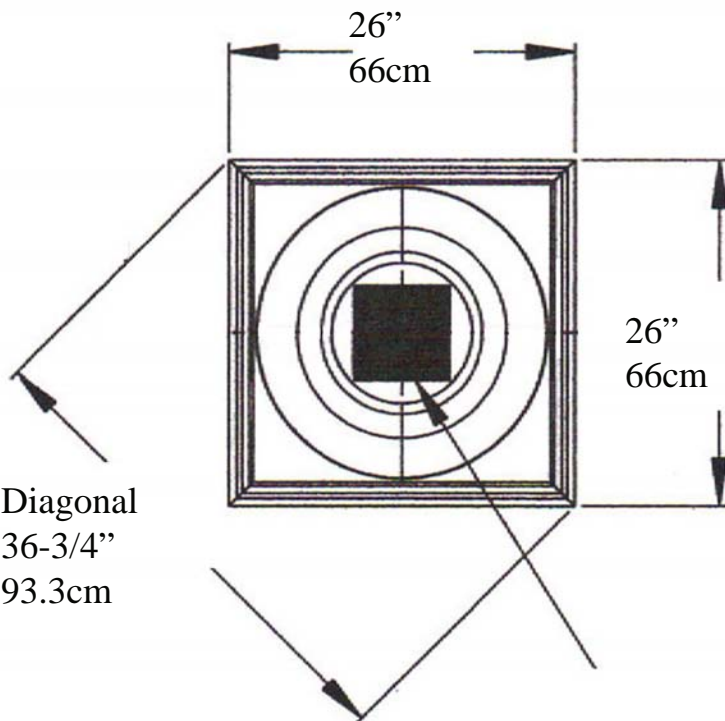
Martin Richards Design™
COLLECTION



Total
Height
18-3/8"
46.6cm

Bottom Circle 16" (40.6cm)

FiberComp™ is
made from calcium carbonate
& Fiberglass Resins



Inside
Diameter
10-3/8"
26.35cm



* All specifications subject to change without notice,
Final products & Measurements may vary from this brochure Manufacturing tolerences +/- 1/8" (.31cm)



www.imperialarchitecture.com

Imperial Productions & Distribution Inc Toronto / New York

email sales@imperialproductions.com copyright 2016 MRDCI All Rights Reserved

1-800-399-7585

Fall 2018