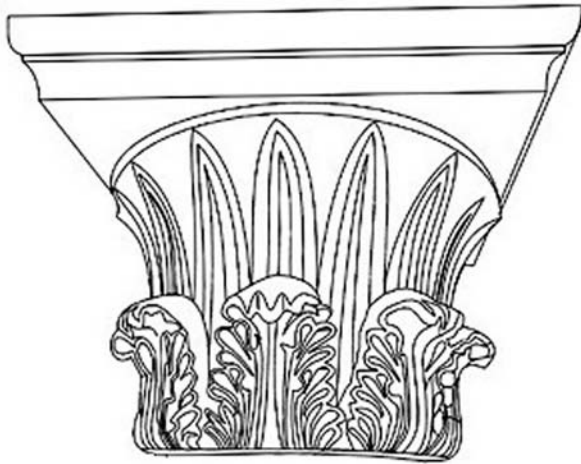




Temple Winds Capital IPTW012 FiberComp™

Martin Richards Design™
COLLECTION

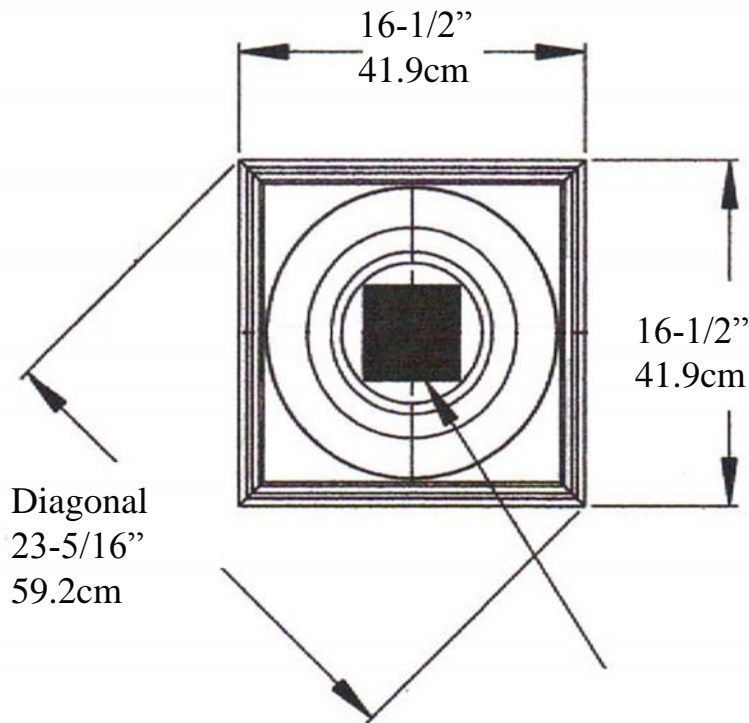


Total
Height
11-1/4"
28.57cm

FiberComp™ is
made from calcium carbonate
& Fiberglass Resins



Bottom Circle 10" (25.4cm)



Inside
Diameter
5"
12.7cm



* All specifications subject to change without notice,
Final products & Measurements may vary from this brochure Manufacturing tolerences +/- 1/8" (.31cm)



www.imperialarchitecture.com

Imperial Productions & Distribution Inc Toronto / New York

email sales@imperialproductions.com copyright 2016 MRDCI All Rights Reserved

1-800-399-7585

Fall 2018