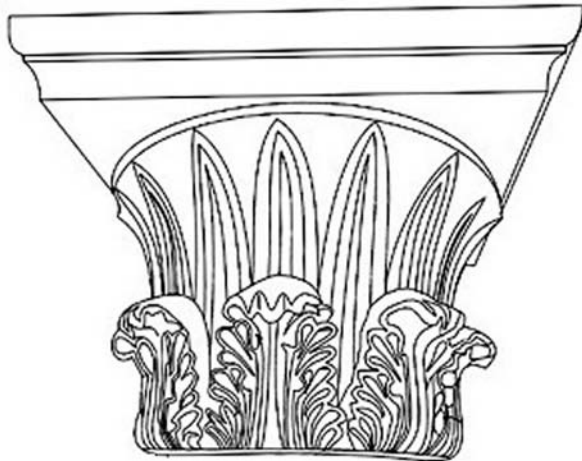




Temple Winds Capital IPTW010 FiberComp™

Martin Richards Design™
COLLECTION

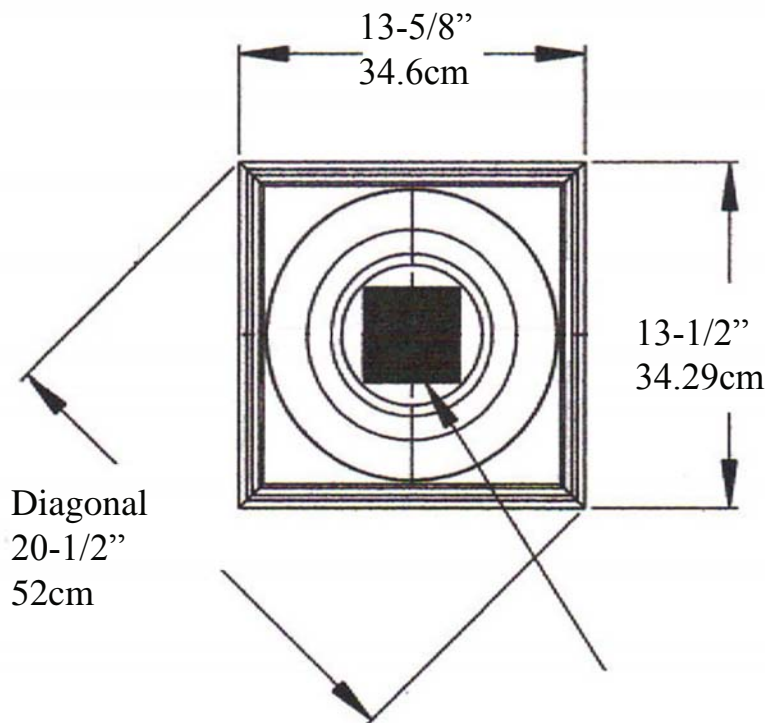


Total
Height
10"
25.4cm

FiberComp™ is
made from calcium carbonate
& Fiberglass Resins



Bottom Circle 7-7/8" (20cm)



Inside
3-7/8"
9.84cm



* All specifications subject to change without notice,
Final products & Measurements may vary from this brochure Manufacturing tolerences +/- 1/8" (.31cm)



www.imperialarchitecture.com

Imperial Productions & Distribution Inc Toronto / New York

email sales@imperialproductions.com copyright 2016 MRDCI All Rights Reserved

1-800-399-7585

Fall 2018