



Temple Winds Capital IPPCTW08 PolyComp™

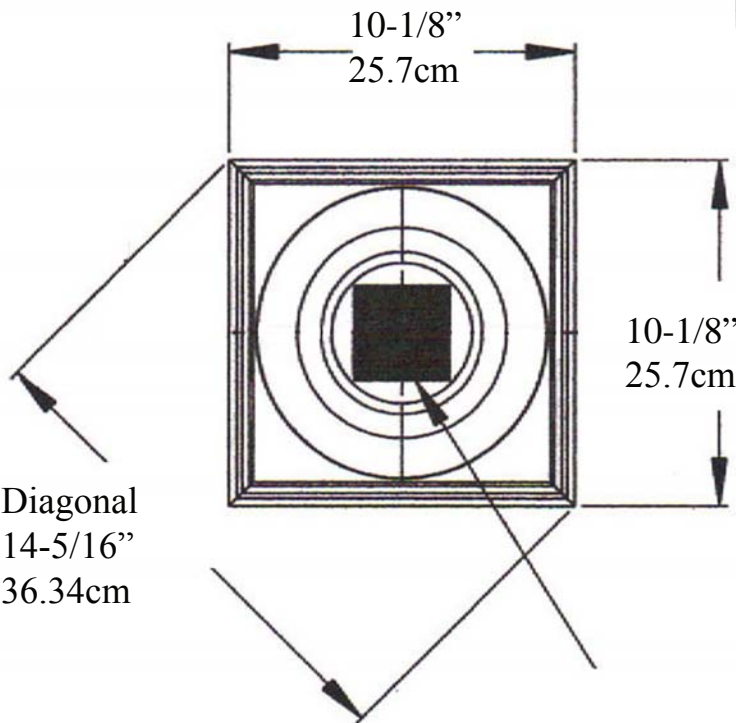
Martin Richards Design™
COLLECTION



Total
Height
7-3/8"
18.7cm

PolyComp™ is made from
75% calcium carbonate
5% marble chips
20% Fiberglass Resins

Bottom Circle Load Plug
Outside Diameter 6-5/8" (16.8cm)
Inside Diameter 4-1/4" (10.79cm)
Plug Height 3/4" (1.9cm)



Inside
Diameter
CALL



* All specifications subject to change without notice,
Final products & Measurements may vary from this brochure Manufacturing tolerences +/- 1/8" (.31cm)



www.imperialarchitecture.com

Imperial Productions & Distribution Inc Toronto / New York

email sales@imperialproductions.com copyright 2016 MRDCI All Rights Reserved

1-800-399-7585

Fall 2018