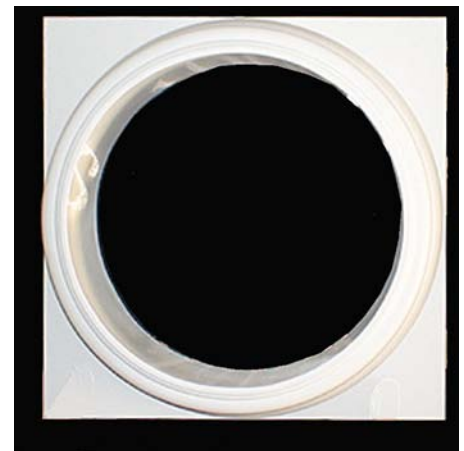
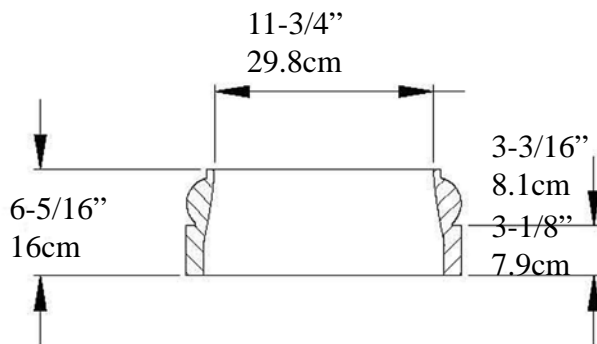
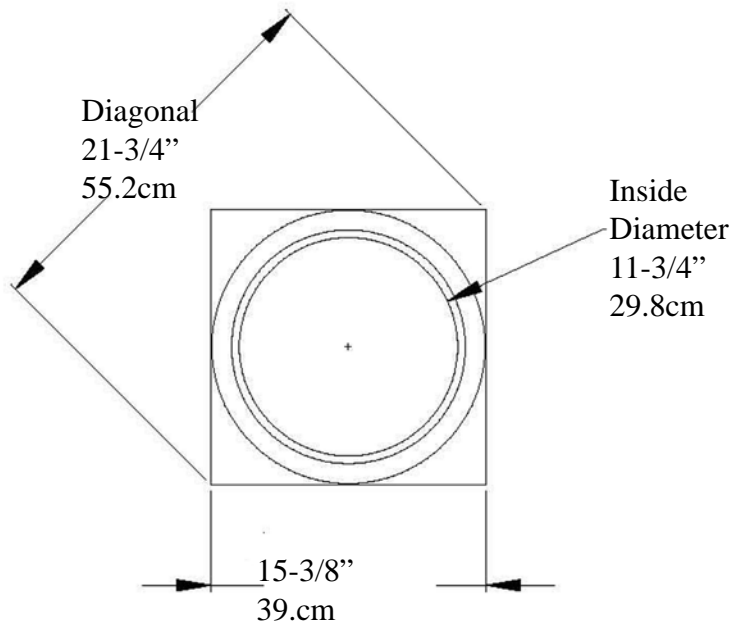




# Tuscan Base IPPCTB12 Polymer Composite

Martin Richards Design  
COLLECTION



Weight 16-1/2 lb (7.5 kg)

\* All specifications subject to change without notice,  
Final products & Measurements may vary from this brochure Manufacturing tolerences +- 1/8" (.31cm)



[www.imperialarchitecture.com](http://www.imperialarchitecture.com)

Imperial Productions & Distribution Inc Toronto / New York  
email [sales@imperialproductions.com](mailto:sales@imperialproductions.com) copyright 2016 MRDCI All Rights Reserved

1-800-399-7585

Fall 2018