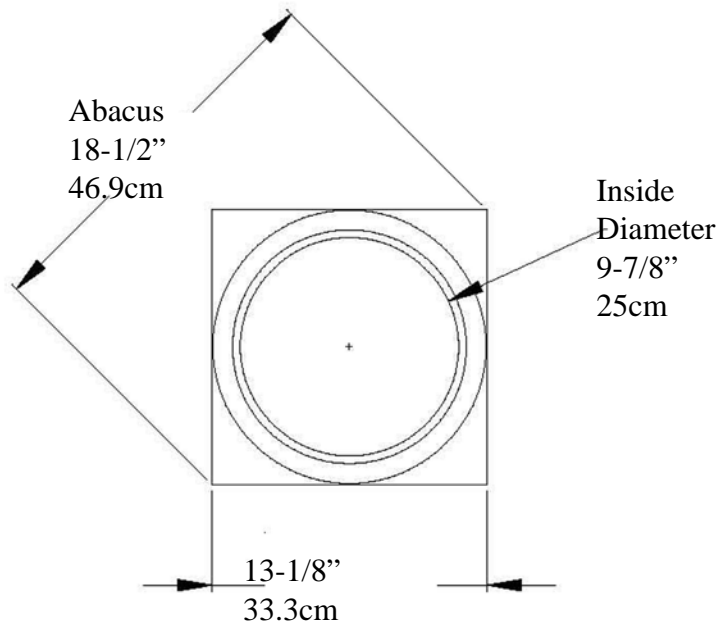


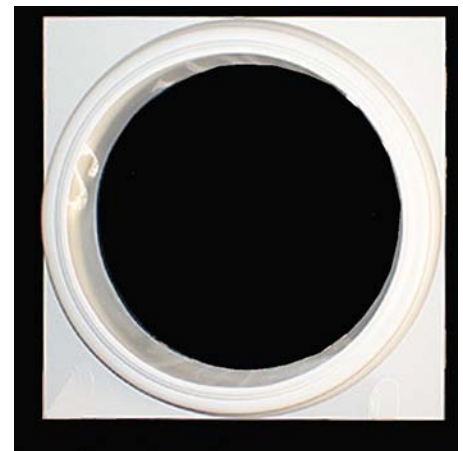
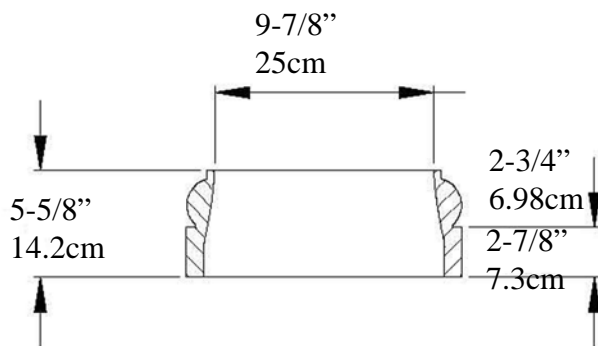


Tuscan Base IPPCTB10 Polymer Composite

Martin Richards Design™
COLLECTION



Weight 11-1/2 lb (5.22 kg)



* All specifications subject to change without notice,
Final products & Measurements may vary from this brochure Manufacturing tolerences +/- 1/8" (.31cm)



www.imperialarchitecture.com

Imperial Productions & Distribution Inc Toronto / New York
email sales@imperialproductions.com copyright 2016 MRDCI All Rights Reserved

1-800-399-7585

Fall 2018