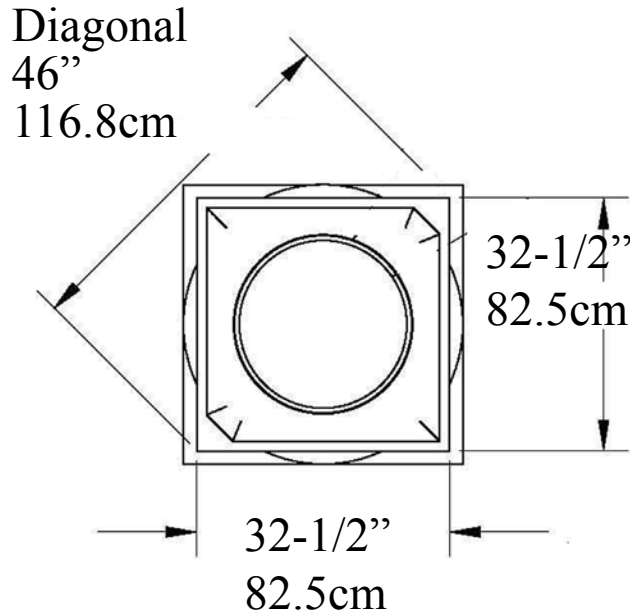




# Attic Base IPAB24 EconPolymer™

Martin Richards Design...  
COLLECTION



Total Height  
15-3/8" (39cm)  
Top Round: call  
Plinth: call



Weight  
25 lb  
11.35 kg

Made from Molds  
Synthetic Polyurethane  
Interior & Exterior Use  
Insect, Rot, Water Resistant  
Same Density as White Pine

\* All specifications subject to change without notice,  
Final products & Measurements may vary from this brochure Manufacturing tolerences +/- 1/8" (.31cm)



[www.imperialarchitecture.com](http://www.imperialarchitecture.com)

Imperial Productions & Distribution Inc Toronto / New York

email [sales@imperialproductions.com](mailto:sales@imperialproductions.com) copyright 2016 MRDCI All Rights Reserved

1-800-399-7585

Fall 2018