



Imperial Productions®



Roman Corinthian CAPITALS



SPLIT OPTIONS





Order Form

IPCROC4	Bottom Circle 3-1/8"		
Interior Hardwood	List	Each	50 +
Hard Maple	95.90	71.93	57.54
Red Oak	95.90	71.93	57.54
Alder	95.90	71.93	57.54
Cherry	157.00	117.75	94.20
Walnut	162.55	121.91	97.53
White Oak	105.42	79.07	63.25
ArchPolymer™	Custom Priced		
GRG-NeoPlaster			

ITEM RC1



Top 4-1/4" x 4-1/4"



Height 5" 12.7cm

Circle 3-1/8" (7.9cm)

Custom R-Corinthian Form

[click for Drawing/Order Form](#)

IPCROC4A	Bottom Circle 3-1/4"		
Interior Hardwood	List	Each	50 +
Hard Maple	113.50	85.12	68.10
Red Oak	113.50	85.12	68.10
Alder	113.50	85.12	68.10
Cherry	156.49	117.37	93.89
Walnut	192.00	144.00	115.20
White Oak	124.71	93.54	74.83
ArchPolymer™	Custom Priced		
GRG-NeoPlaster			

ITEM RC2



Top 5-1/4 x 5-1/4"



Height 5" 12.7cm

Bottom Circle 3-1/4" (8.2cm)

Custom R-Corinthian Form

[click for Drawing/Order Form](#)

IPMRD0400	Bottom Circle 3-1/2"		
Interior Hardwood	List	Each	50 +
Hard Maple	132.06	99.05	79.24
Red Oak	132.06	99.05	79.24
Alder	132.06	99.05	79.24
Cherry	173.13	129.84	103.88
Walnut	223.65	167.74	134.19
White Oak	145.15	108.86	87.09
ArchPolymer™	Custom Priced		
GRG-NeoPlaster			

ITEM RC3



Top 6-1/4" x 6-1/4" (15.8cm)



Height 5" 12.7cm

Bottom Circle 3-1/2" (8.8cm)

Custom R-Corinthian Form

[click for Drawing/Order Form](#)

IPCROC5	Bottom Circle 4-1/4"		
Interior Hardwood	List	Each	50 +
Hard Maple	158.14	118.61	94.89
Red Oak	158.14	118.61	94.89
Alder	158.14	118.61	94.89
Cherry	208.30	156.22	124.98
Walnut	249.73	187.29	149.84
White Oak	171.23	128.42	102.74
ArchPolymer™	Custom Priced		
GRG-NeoPlaster			

ITEM RC4



Top 5-3/4" x 5-3/4" (14.6cm)



Height 7" 17.8cm

Bottom Circle 4-1/4" (10.8cm)

Custom R-Corinthian Form

[click for Drawing/Order Form](#)



IPNP7034	Bottom Circle 5"		
	List	Each	50 +
ArchPolymer™	108.36	81.27	65.01
GRG-NeoPlaster™	Custom Priced		

ITEM RC5



8-3/4" x 8-3/4" (21.1cm)



Height
7"
17.8cm

Bottom Circle 5" (12.7cm)

Custom R-Corinthian Form

[click for
Drawing/Order Form](#)

IPCPROC6B	Bottom Circle 5"		
Interior Hardwood	List	Each	50 +
Hard Maple	152.68	114.51	91.61
Red Oak	Custom Priced		
Alder	Custom Priced		
Cherry	Custom Priced		
Walnut	Custom Priced		
White Oak	Custom Priced		
ArchPolymer™	Custom Priced		
GRG-NeoPlaster			

ITEM RC6

Top 7-3/4" x 7-3/4" (19.7cm)



Height
8-1/8"
20.6cm

Bottom Circle 5" (12.7cm)

Custom R-Corinthian Form

[click for
Drawing/Order Form](#)

IPMRD0501	Bottom Circle 5-1/4"		
Interior Hardwood	List	Each	50 +
Hard Maple	203.29	152.47	121.98
Red Oak	203.29	152.47	68.10
Alder	203.29	152.47	121.98
Cherry	253.45	190.09	152.07
Walnut	294.88	221.16	176.93
White Oak	216.38	162.28	129.83
ArchPolymer™	Custom Priced		
GRG-NeoPlaster			

ITEM RC7



8-1/2" x 8-1/2" (21.6 x 21.6cm)



Height
8-1/2"
21.6cm

Bottom Circle 5-1/4" (13.3cm)

Custom R-Corinthian Form

[click for
Drawing/Order Form](#)

IPMRD0500	Bottom Circle 5-1/4"		
Interior Hardwood	List	Each	50 +
Hard Maple	116.41	87.31	69.85
Red Oak	116.41	87.31	69.85
Alder	116.41	87.31	69.85
Cherry	159.40	119.55	95.64
Walnut	194.91	146.19	116.95
White Oak	127.63	95.72	76.58
ArchPolymer™	Custom Priced		
GRG-NeoPlaster			

ITEM RC8



Top 7-7/8" x 7-7/8" (20cm)



Height
7"
17.7cm

Bottom Circle 5-1/4" (12.7cm)

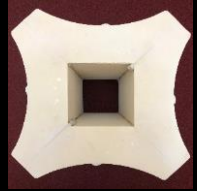
Custom R-Corinthian Form

[click for
Drawing/Order Form](#)



IPAPRC103	Bottom Circle 6-5/8"		
	List	Each	50 +
ArchPolymer™	125.50	94.12	75.30
GRG-NeoPlaster™	Custom Priced		

ITEM RC9



Top 12" x 12" (30.5 x 30.5cm)



Height
10-1/2"
26.6cm

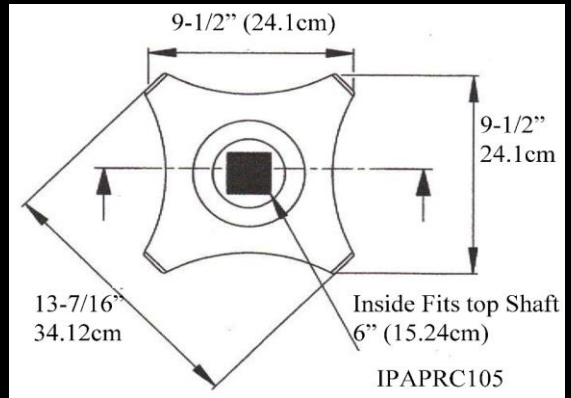
Bottom Round 6-5/8" (16.8cm)

[click for Drawing/Order Form](#)

Custom R-Corinthian Form

IPAPRC105	Fits Top Shaft 6"		
	List	Each	50 +
ArchPolymer™	420.89	315.67	252.54
GRG-NeoPlaster™	Custom Priced		

ITEM RC10

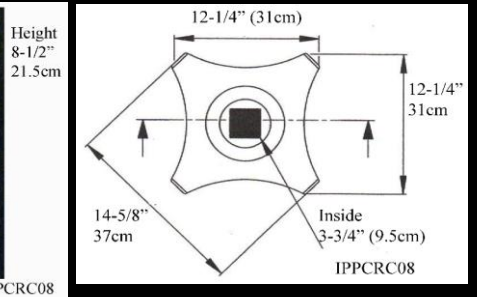


[click for Drawing/Order Form](#)

Custom R-Corinthian Form

IPPCRC08-Load	Bottom Circle 6-1/16"		
FRP-PolyComp™	List	Each	50 +
Whole	432.48	324.36	259.49
Split in Half (Pilaster)	481.25	360.94	288.75
Whole White Painted	450.58	337.94	270.35
Split in Half White Painted	499.36	374.52	299.61

ITEM RC11



[click for Drawing/Order Form](#)

IPNP7030	Bottom Circle 6-1/4"		
	List	Each	50 +
ArchPolymer™	107.61	80.71	64.57
GRG-NeoPlaster™	Custom Priced		

ITEM RC12

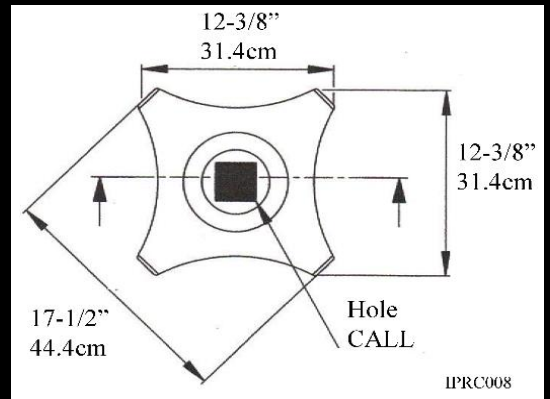


[click for Drawing/Order Form](#)

Custom R-Corinthian Form



IPRC008	Bottom Circle Fits 6-1/4"			ITEM RC13
ECONPOLYMER	List	Each	50 +	
Whole	515.95	386.96	309.57	
Split for Post Wrap	581.37	436.03	348.82	
Split in Half (Pilaster)	581.37	436.03	348.82	



Custom R-Corinthian Form

[click for Drawing/Order Form](#)

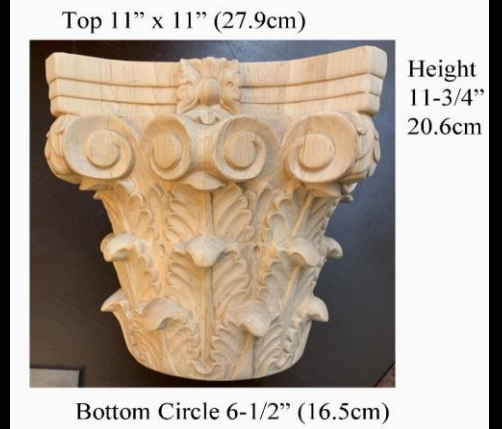
IPMRD0502	Bottom Circle 6-1/2"			ITEM RC14
Interior Hardwood	List	Each	50 +	
Hard Maple	335.38	251.53	201.23	
Red Oak	335.38	251.53	201.23	
Alder	335.38	251.53	201.23	
Cherry	461.33	346.00	276.80	
Walnut	563.50	422.62	338.10	
White Oak	367.96	275.97	220.78	
ArchPolymer™	Custom Priced			
GRG-NeoPlaster				



Custom R-Corinthian Form

[click for Drawing/Order Form](#)

IPCPROC8	Bottom Circle 6-1/2"			ITEM RC15
Interior Hardwood	List	Each	50 +	
BASSWOOD	172.37	129.28	103.42	
Red Oak	Custom Priced			
Alder	Custom Priced			
Cherry	Custom Priced			
Walnut	Custom Priced			
White Oak	Custom Priced			
ArchPolymer™	Custom Priced			
GRG-NeoPlaster				



Custom R-Corinthian Form

[click for Drawing/Order Form](#)

IPNP7030A	Bottom Circle 6-3/4"			ITEM RC16
ArchPolymer™	List	Each	50 +	
GRG-NeoPlaster™	419.96	89.97	71.98	
	Custom Priced			



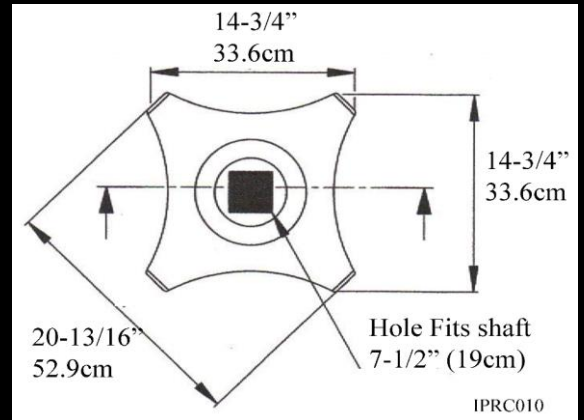
Custom R-Corinthian Form

[click for Drawing/Order Form](#)



IPRC010	Bottom Circle Fits 8"		
ECONPOLYMER	List	Each	50 +
Whole	691.60	518.70	414.96
Split for Post Wrap	757.02	567.77	454.21
Split in Half (Pilaster)	757.02	567.77	454.21

ITEM RC17



IPRC010

Custom R-Corinthian Form



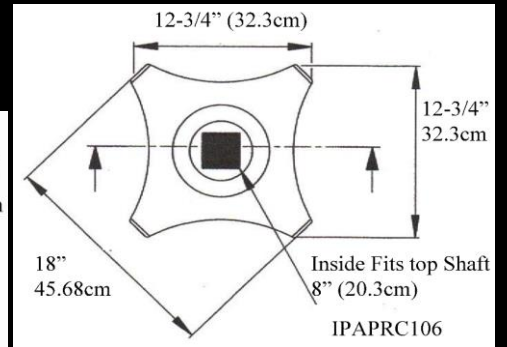
click for Drawing/Order Form



Bottom Circle fits 7-1/2" (19cm)

IPAPRC106	Bottom Circle 8"		
	List	Each	50 +
ArchPolymer™	441.55	331.16	264.93
GRG-NeoPlaster™	Custom Priced		

ITEM RC18



IPAPRC106

click for Drawing/Order Form



Bottom Round 8" (20.3cm) IPAPRC106

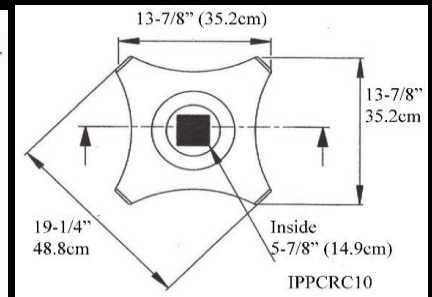
Custom R-Corinthian Form

IPPCRC10-Load	Bottom Circle 8-1/4"		
	List	Each	50 +
FRP-PolyComp™			
Whole	625.75	469.31	375.45
Split in Half (Pilaster)	674.52	505.89	404.71
Whole White Painted	653.36	490.02	392.01
Split in Half White Painted	702.13	526.60	421.28

ITEM RC19



Bottom Circle 8-1/8" (20.63cm) IPPCRC10

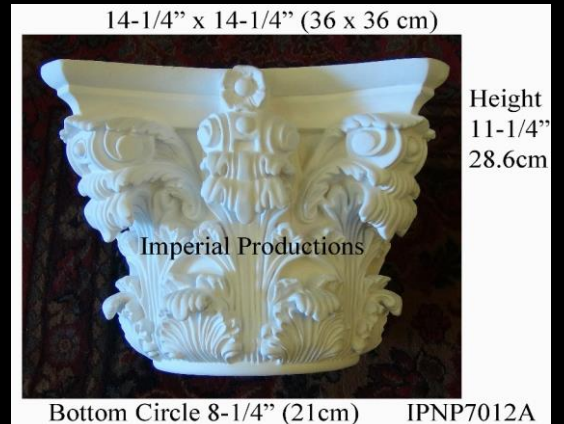


IPPCRC10

click for Drawing/Order Form

IPNP7027A	Bottom Circle 8-1/4"		
	List	Each	50 +
ArchPolymer™	108.36	81.27	65.01
GRG-NeoPlaster™	Custom Priced		

ITEM RC20



Bottom Circle 8-1/4" (21cm) IPNP7012A

Custom R-Corinthian Form

click for Drawing/Order Form



Order Form

IPNP7027	Bottom Circle 8-1/2"		
	List	Each	50 +
ArchPolymer™	144.30	108.23	86.58
GRG-NeoPlaster™	Custom Priced		

ITEM RC21



Top 13-5/8" x 13-5/8" (34.6cm)

Height 11" 27.9cm

Bottom Circle 8-1/2" (21.6cm) IPNP7027

Custom R-Corinthian Form

[click for Drawing/Order Form](#)

IPMRD0503	Bottom Circle 8-1/2"		
Interior Hardwood	List	Each	50 +
Hard Maple	568.73	426.55	341.24
Red Oak	568.73	426.55	341.24
Alder	568.73	426.55	341.24
Cherry	950.45	712.84	570.27
Walnut	1161.14	870.85	696.68
White Oak	695.20	521.40	417.12
ArchPolymer™	Custom Priced		
GRG-NeoPlaster	Custom Priced		

ITEM RC22



Top 16" x 16" (40.6cm)

Height 11-3/4" 29.8cm

Bottom Circle 8-1/2" (57.5cm) IPMRD0503

Custom R-Corinthian Form

[click for Drawing/Order Form](#)

IPCPROC10B	Bottom Circle 8-1/2"		
Interior Hardwood	List	Each	50 +
BASSWOOD	403.86	302.90	242.32
Red Oak	Custom Priced		
Alder	Custom Priced		
Cherry	Custom Priced		
Walnut	Custom Priced		
White Oak	Custom Priced		
ArchPolymer™	Custom Priced		
GRG-NeoPlaster	Custom Priced		

ITEM RC23

Top 14-1/4" x 14-1/4" (36.2cm)

Height 14-1/4" 36.2cm

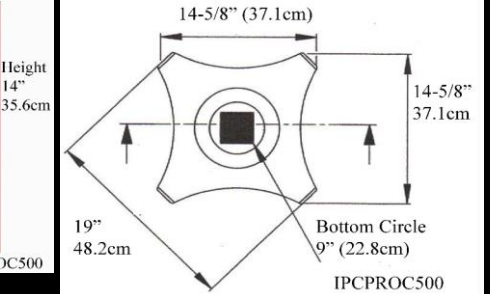
Circle 8-1/2" (21.6cm) IPCPROC10B

Custom R-Corinthian Form

[click for Drawing/Order Form](#)

IPCPROC500	Bottom Circle 9"		
	List	Each	50 +
ArchPolymer™	392.38	294.29	235.43
Plaster	459.00	344.25	275.40

ITEM RC24



[click for Drawing/Order Form](#)

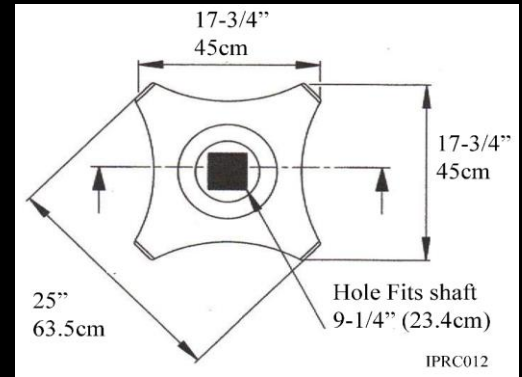
Custom R-Corinthian Form



IIRC012	Bottom Circle Fits 9-1/4"			ITEM RC25
ECONPOLYMER	List	Each	50 +	
Whole	822.45	616.84	493.47	
Split for Post Wrap	887.88	665.91	532.73	
Split in Half (Pilaster)	887.88	665.91	532.73	

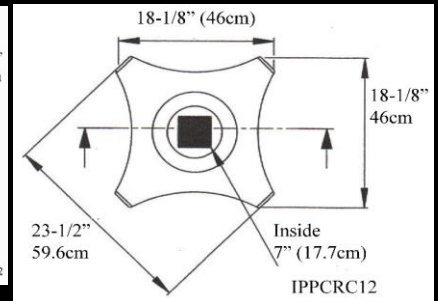
Custom R-Corinthian Form

[click for Drawing/Order Form](#)



IPPCRC12-Load	Bottom Circle 9-7/8"			ITEM RC26
FRP-PolyComp™	List	Each	50 +	
Whole	833.27	624.95	499.96	
Split in Half (Pilaster)	882.33	661.75	529.40	
Whole White Painted	880.62	660.46	528.37	
Split in Half White Painted	929.65	697.24	557.79	

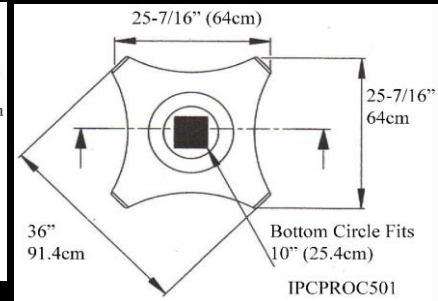
[click for Drawing/Order Form](#)



IPCPROC501	Bottom Circle Fits 10"			ITEM RC27
ArchPolymer™	List	Each	50 +	
PLASTER	516.13	387.10	309.68	
	607.50	455.63	364.50	

[click for Drawing/Order Form](#)

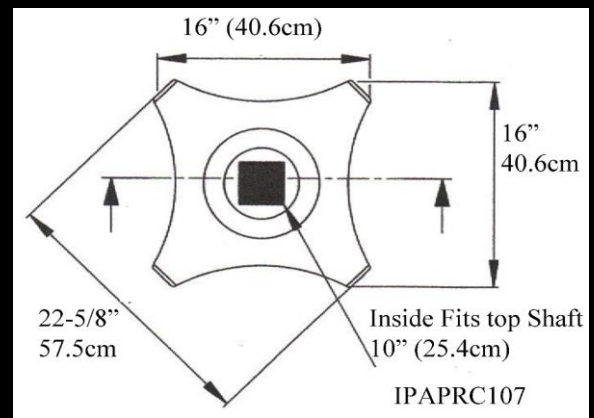
Custom R-Corinthian Form



IPAPRC107	Fits 10" Top of Shaft			ITEM RC28
ArchPolymer™	List	Each	50 +	
GRG-NeoPlaster™	499.78	374.84	299.87	
	Custom Priced			

[click for Drawing/Order Form](#)

Custom R-Corinthian Form





Order Form

IPMRD0504	Bottom Circle 11-1/2"		
Interior Hardwood	List	Each	50 +
Hard Maple	993.04	744.76	595.81
Red Oak	993.04	744.76	595.81
Alder	993.04	744.76	595.81
Cherry	1217.87	913.41	730.72
Walnut	1494.55	1120.91	896.73
White Oak	1064.66	798.49	638.79
ArchPolymer™	Custom Priced		
GRG-NeoPlaster			

ITEM RC29



Top 12-1/2" x 12-1/2" (31.75cm)

Height 15" 38cm

Bottom Circle 11-1/2" (29.2cm) IPMRD0504

Custom R-Corinthian Form

click for Drawing/Order Form

IPMRD0512	Bottom Circle 12"		
Interior Hardwood	List	Each	50 +
Hard Maple	1354.48	1015.86	812.69
Red Oak	1354.48	1015.86	812.69
Alder	1354.48	1015.86	812.69
Cherry	1768.03	1326.02	1060.82
Walnut	2276.87	1707.65	1366.12
White Oak	1486.25	1114.68	891.75
ArchPolymer™	Custom Priced		
GRG-NeoPlaster			

ITEM RC30



Top 15" x 15" (38.1cm)

Height 16-5/8" 42.2cm

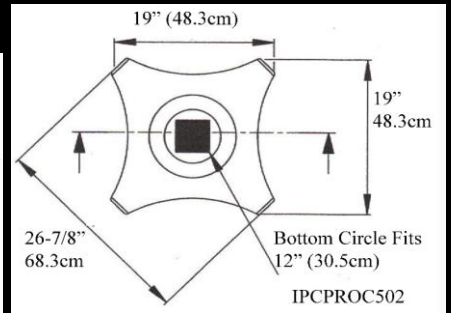
Bottom Circle 12" (30.48cm) IPMRD0512

Custom R-Corinthian Form

click for Drawing/Order Form

IPCPROC502	Bottom Circle 12"		
ArchPolymer™	List	Each	50 +
ArchPolymer™	617.38	463.04	370.43
PLASTER	729.00	546.75	437.40

ITEM RC31



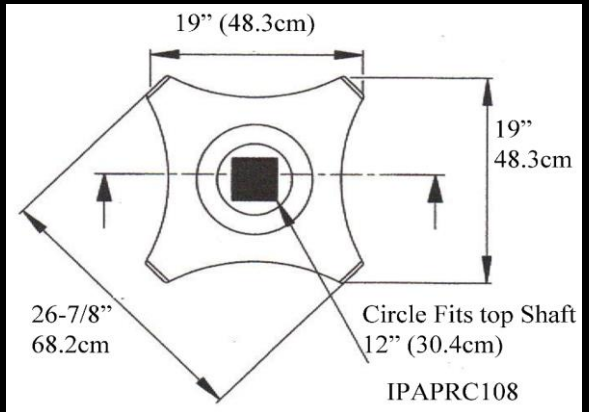
click for Drawing/Order Form



Custom R-Corinthian Form

IPAPRC108	Fits 12" Top of Shaft		
ArchPolymer™	List	Each	50 +
ArchPolymer™	601.08	450.81	360.65
GRG-NeoPlaster™	Custom Priced		

ITEM RC32



click for Drawing/Order Form

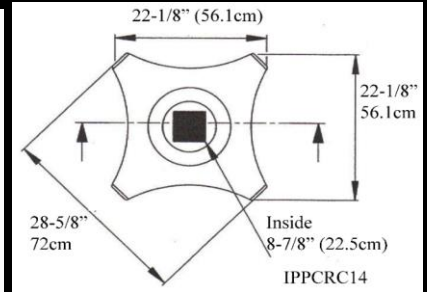


Custom R-Corinthian Form



IPPCRC14-Load	Bottom Circle 12-1/2"		
FRP-PolyComp™	List	Each	50 +
Whole	1240.40	930.30	744.24
Split in Half (Pilaster)	1289.16	966.87	773.49
Whole White Painted	1292.83	969.62	775.70
Split in Half White Painted	1341.58	1006.19	804.95

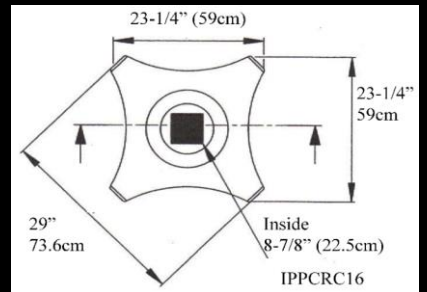
ITEM RC33



[click for Drawing/Order Form](#)

IPPCRC16-Load	Bottom Circle 12-1/2"		
FRP-PolyComp™	List	Each	50 +
Whole	1176.08	882.06	705.65
Split in Half (Pilaster)	2070.07	1552.55	1242.04
Whole White Painted	1896.58	1422.43	1137.95
Split in Half White Painted	2130.57	1597.93	1278.34

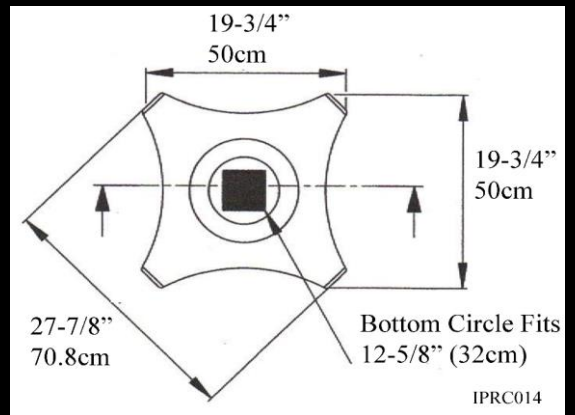
ITEM RC34



[click for Drawing/Order Form](#)

IPRC014	Bottom Circle Fits 12-5/8"		
ECONPOLYMER	List	Each	50 +
Whole	1196.28	897.21	717.77
Split for Post Wrap	1261.70	946.28	757.02
Split in Half (Pilaster)	1261.70	946.28	757.02

ITEM RC35



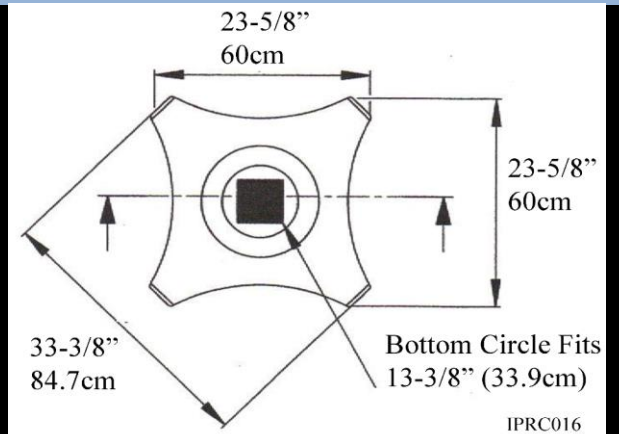
Custom R-Corinthian Form



[click for Drawing/Order Form](#)

IPRC016	Bottom Circle Fits 13-3/8"		
ECONPOLYMER	List	Each	50 +
Whole	1682.23	1261.67	1009.34
Split for Post Wrap	1909.73	1432.29	1145.84
Split in Half (Pilaster)	1909.73	1432.29	1145.84

ITEM RC36



Custom R-Corinthian Form



[click for Drawing/Order Form](#)

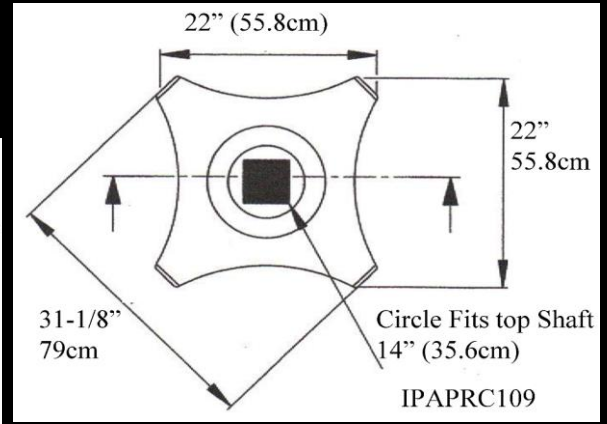


IPAPRC109	Fits 14" Top of Shaft			ITEM RC37
	List	Each	50 +	
ArchPolymer™	818.14	613.60	490.88	
GRG-NeoPlaster™	Custom Priced			

Custom R-Corinthian Form



[click for Drawing/Order Form](#)

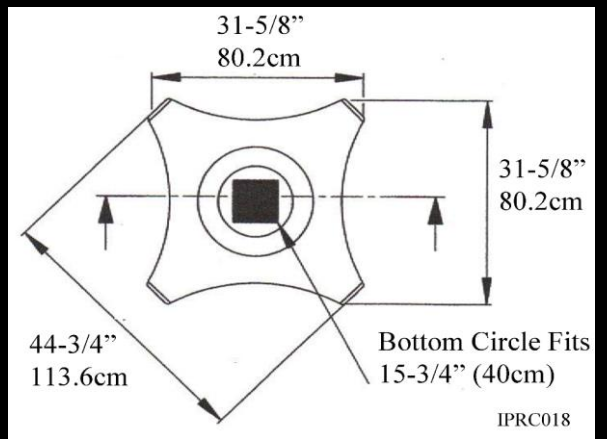


IPRC018	Bottom Circle Fits 15-3/4"			ITEM RC38
ECONPOLYMER	List	Each	50 +	
Whole	2786.47	2089.85	1671.88	
Split for Post Wrap	2883.12	2162.34	1729.87	
Split in Half (Pilaster)	2883.12	2162.34	1729.87	

Custom R-Corinthian Form

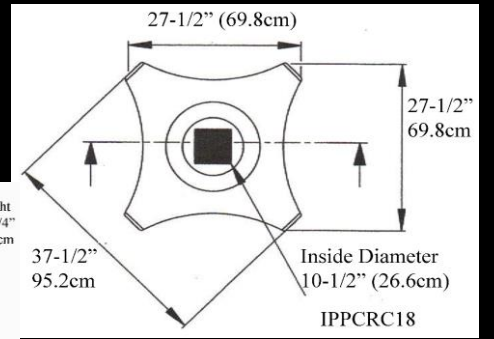


[click for Drawing/Order Form](#)



IPPCRC18-Load	Bottom Circle 15-3/4"			ITEM RC39
FRP-PolyComp™	List	Each	50 +	
Whole	2373.07	1779.81	1423.84	
Split in Half (Pilaster)	2675.31	2006.48	1605.19	
Whole White Painted	2447.52	1835.64	1468.51	
Split in Half White Painted	2749.76	2062.32	1649.85	

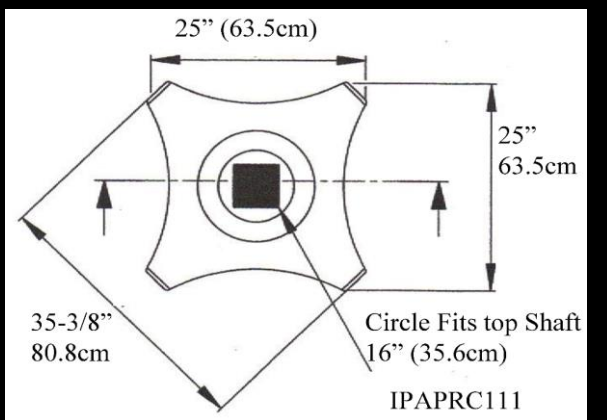
[click for Drawing/Order Form](#)



IPAPRC111	Fits 16" Top of Shaft			ITEM RC40
	List	Each	50 +	
ArchPolymer™	1068.60	801.45	641.16	
GRG-NeoPlaster™	Custom Priced			

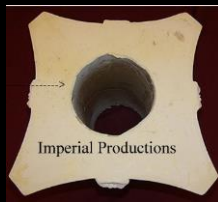
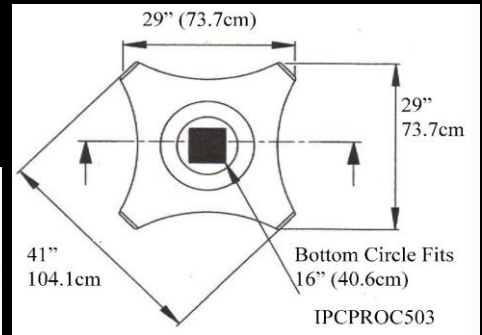
[click for Drawing/Order Form](#)

Custom R-Corinthian Form





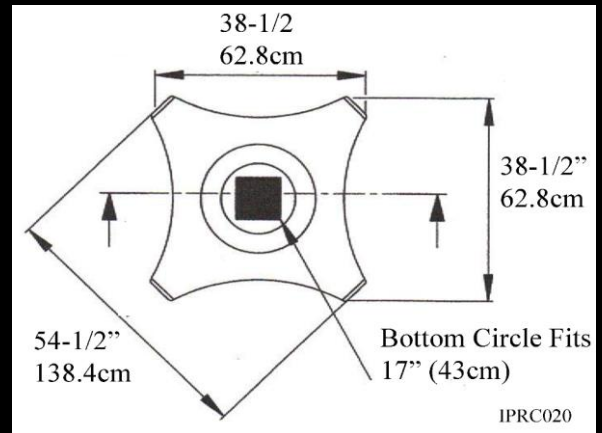
IPCPROC503	Bottom Circle 16"			ITEM RC41
	List	Each	50 +	
ArchPolymer™	1661.25	1245.94	996.75	
PLASTER	1957.50	1468.13	1174.50	



[click for Drawing/Order Form](#)

Custom R-Corinthian Form

IPRC020	Bottom Circle Fits 17"			ITEM RC42
ECONPOLYMER	List	Each	50 +	
Whole	3467.89	2600.91	2080.73	
Split for Post Wrap	3628.06	2721.04	2176.84	
Split in Half (Pilaster)	3628.06	2721.04	2176.84	

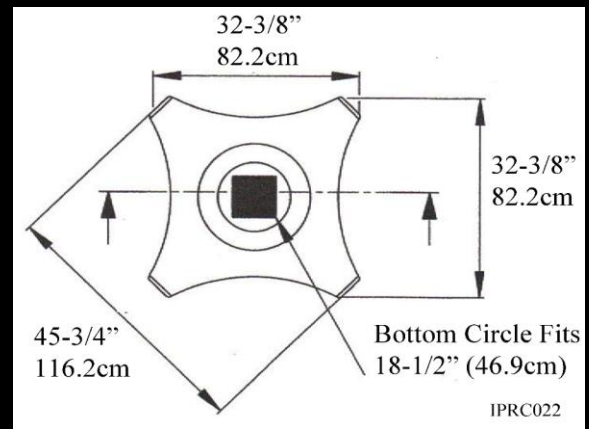


Custom R-Corinthian Form



[click for Drawing/Order Form](#)

IPRC022	Bottom Circle Fits 18-1/2"			ITEM RC43
ECONPOLYMER	List	Each	50 +	
Whole	3072.20	2304.15	1843.32	
Split for Post Wrap	3232.38	2424.28	1939.43	
Split in Half (Pilaster)	3232.38	2424.28	1939.43	

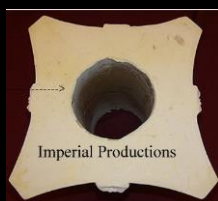
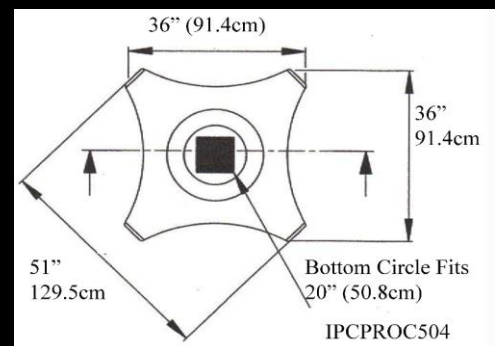


Custom R-Corinthian Form



[click for Drawing/Order Form](#)

IPCPROC504	Bottom Circle 20"			ITEM RC44
	List	Each	50 +	
ArchPolymer™	2561.25	1920.94	1536.75	
PLASTER	3037.50	2278.13	1822.50	



[click for Drawing/Order Form](#)

Custom R-Corinthian Form

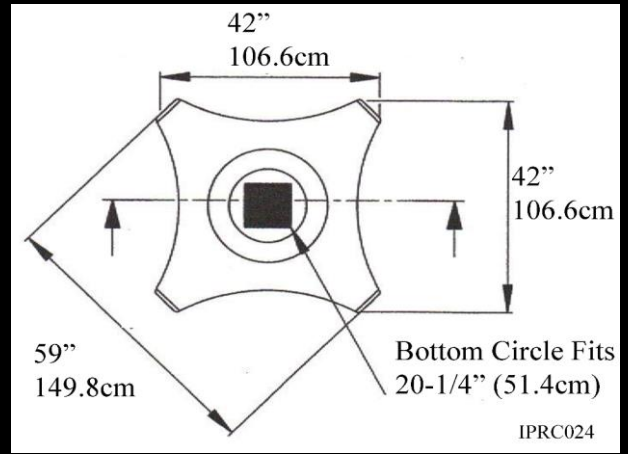


IPRC024	Bottom Circle Fits 20-1/4"			ITEM RC45
ECONPOLYMER	List	Each	50 +	
Whole	4822.03	3616.52	2893.22	
Split for Post Wrap	4982.20	3736.65	2989.32	
Split in Half (Pilaster)	4982.20	3736.65	2989.32	

Custom R-Corinthian Form



[click for Drawing/Order Form](#)

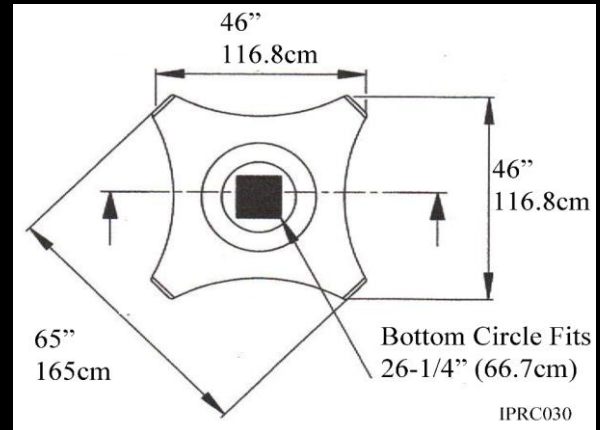


IPRC030	Bottom Circle Fits 26-1/4"			ITEM RC46
FIBERGLASS	List	Each	50 +	
Whole	6959.80	5219.85	4175.88	
Split for Post Wrap	7250.82	5438.12	4350.49	
Split in Half (Pilaster)	7250.82	5438.12	4350.49	

Custom R-Corinthian Form



[click for Drawing/Order Form](#)

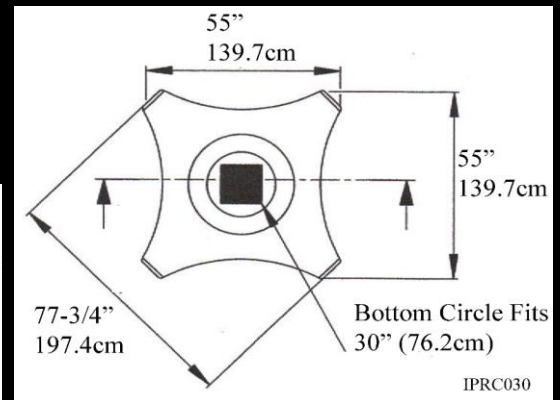


IPRC036	Bottom Circle Fits 30"			ITEM RC47
FIBERGLASS	List	Each	50 +	
Whole	custom priced			
Split for Post Wrap	custom priced			
Split in Half (Pilaster)	custom priced			

Custom R-Corinthian Form



[click for Drawing/Order Form](#)



Need Gold Leaf ?
Imperial has Roman
Specialty Paints
call for Details



Material Properties | **HARDWOODS**

Hardwoods are a Green Choice
Sanded to 220 Ready to Paint or Stain
Exterior Woods: Pine, Western Red Cedar, White Oak
Interior Woods:
Poplar, Bass, Red Oak, Maple, SapMaple, Ash
Cherry, African Mahogany, Walnut, Yellow Birch

Benefits
Total Customization to the Micro Inch
Solid Capitals and Bases



[click to Watch Youtube Video](#)

Material Properties | **PolyComp & FiberComp™**

made from 75% calcium carbonate, 25% Fiberglass Resins
FiberComp™ EconPolymer Caps and Bases (not primed)
PolyComp™ EconPolymer Caps (paint option)
All Whole Columns are Load Bearing
Always consult with your structural engineer for application

Benefits
Insect, Rot and Water Resistant
Minimal Thermal Transfer to avoid spider cracks
Optional Split for Post Wrap, Cut to Height or Corner Cuts



[click to Watch Youtube Video](#)

Material Properties | **ArchPolymer™**

ArchPolymer™ is high density Polyurethane
Lite weight - easy to cut and install for post wrap
Perfect for Theatres, Store Fixtures, Gardens
Not Load Bearing
Primed Ready to Paint by others

Benefits
Insect, Rot and Water Resistant
Minimal Thermal Transfer to avoid spider cracks



[click to Watch Youtube Video](#)

Material Properties | **StoneMold™ & Zeament™ Décor Post Wraps**

Architectural Artificial Stone Composite Interior Use only
made from Alpha Gypsum Cement with pigment
Not Load Bearing
Columns split with a reveal at the seam
12 Finishes 11 Finishes



[click to Watch Youtube Video](#)



Imperial Productions® Request for Quote

Download, Fill-in & Email to sales@imperialproductions.com

Name / Company: _____

Phone _____ Email _____

Billing Address: _____

City: _____ Prov / State _____

PC / Zip Code _____

Ship to Address: _____

City: _____ Prov / State _____

PC / Zip Code _____

Product Code: _____

Quantity: _____

Notes: _____



Imperial Productions®

1-800-399-7585

Imperial Productions & Distribution Inc Toronto / New York

email sales@imperialproductions.com copyright 2016 MRDCI All Rights Reserved