

Railing Systems



Balusters,
Railings Curved & Straight
made from

- * ArchPolymer™ (Interior & Exterior)
a artificial wood, detailed lite weight
- * Zeament™ (Exterior)
a GFRC Product
- * Stain Grade Hardwood

*Custom Designs
& Historic
Duplications*

*Canada \$
Wholesale
Price List
Sept 18*



www.imperialproductions.com 800-399-7585 416-264-6097 Fax 416-264-6098


Imperial Productions & Distribution Inc
email sales@imperialproductions.com

Toronto

copyright 2016 MRDCI All Rights Reserved

Railings Page 1
Vol 7: Spring 2017


Standard Round & Square Balusters - ArchPolymer™




Square 1-3/4" x 1-3/4" (4.4 x 4.4cm)
IPB8062 Height 20" (50.8cm)
IPB8069 Height 24" (60.9cm)
IPB8031 Height 28" (71.1cm)
IPB8014 Height 32" (81.28cm)
IPB8028 Height 38" (81.28cm)

Square 2" x 2" (5 x 5cm)
IPB8035 Height 28" (71.1cm)

Square 3" x 3" (7.6 x 7.6cm)
IPB8066 Height 20-3/4" (52.7cm)
IPB8048 Height 30-3/4" (78.1cm)



Round Diameter 1-1/4" (3.1cm)
IPB8050 Height 10" (25.4cm)
IPB8055 Height 14" (35.5cm)
IPB8044 Height 30" (76.2cm)
IPB8015 Height 32-1/8" (81.5cm)




IPB8018
 Height 35-3/4" (90.8cm)
 Diameter 5-3/8" (13.6cm)
 Square Base
 6-3/4" x 6-3/4" (17.1cm)
 Spacing
 Top Rail: IPBR9004
 Bottom Rail:
 IPBR9054, IPBR9060



IPB8051
 Height 10" (25.4cm)
 Top Square
 3-1/4" (8.2cm)
 Square Base
 Spacing: 6" on center
 Top Rail: IPBR9001
 Bottom Rail: IPBR9051



IPB8067
 Height 23" (58.4cm)
 Top Diameter
 5" (12.7cm)
 Spacing: 7-1/16" o/c
 Top Rail: IPBR9000
 Bottom Rail:
 IPBR9050, IPBR9059




IPB8075
 Height 26-7/8" (68.2cm)
 Top Diameter
 3" (7.62cm)
 Spacing: 6-5/16" o/c
 Top Rail:
 IPBR9007, IPNP8308
 Bottom Rail:
 IPBR9057, IPNP8309



IPB8053
 Height
 11-1/16" (28cm)
 Top Square
 4-1/8" (10.4cm)
 Spacing: 5-7/8" o/c
 Top Rail: IPBR9001
 Bottom Rail:
 IPBR9051



IPB8056
 Height 16" (40.6cm)
 Top Square
 4-1/2" (11.4cm)
 Spacing:
 Top Rail:
 IPBR9001, IPBR9000
 Bottom Rail:
 IPBR9050, IPBR9051




IPB8047
 Height 30-3/4" (78.1cm)
 Top Diameter
 3" (7.62cm)
 Spacing: 6-3/8" o/c
 Top Rail: IPBR9003
 IPNP8308, IPBR9001
 Bottom Rail: IPBR9053
 IPNP8309, IPBR9051



IPB8042
 Height 30" (76.2cm)
 Top Diameter
 3-1/4" (8.25cm)
 Spacing: 6" o/c
 Top Rail:
 IPNP8308, IPBR9001
 Bottom Rail:
 IPNP8309, IPBR9051




IPB8054
 Height 14" (35.5cm)
 Top Square
 4-3/8" (11.1cm)
 Spacing: 6-5/16" o/c
 Top Rail:
 IPBR9001, IPBR9000
 Bottom Rail:
 IPBR9050, IPBR9051



IPB8057
 Height 16" (40.6cm)
 Bottom Square
 4-5/16" (10.9cm)
 Top Square
 3-5/8" (9.2cm)
 Spacing: 6-7/16" o/c
 Top Rail: IPBR9000
 Bottom Rail:
 IPBR9050



IPB8058
 Height 18" (45.7cm)
 Top Square
 2-1/4" (5.7cm)
 Spacing: 5-9/16" o/c
 Top Rail: IPBR9007
 IPBR9003
 Bottom Rail:
 IPBR9057
 IPBR9053



IPB8001
 Height 19" (48.2cm)
 Top Square
 5-1/4" (13.3cm)
 Spacing:
 Top Rail: IPBR9004
 IPBR9000
 Bottom Rail:
 IPBR9054
 IPBR9050



Arch-Polymer - double Primed ready-to-paint, Lite weight, will not crack
 PVC Reenforced, Interior & Exterior use, Optional interior Class-A Fire rated

**6" Top & Bottom Extensions
 Available on all Balusters**

* All prices & specifications subject to change without notice, Final Product may vary from this brochure, Refer to local building codes for heights

Standard Round & Square Balusters - ArchPolymer™




IPB8059
High 19-7/8" (50.4cm)

Top Square
4-1/2" (11.4cm)
Spacing: 6" o/c
Top Rail: IPBR9000
Bottom Rail:
IPBR9050




IPB8061
Height 20" (50.8cm)

Bottom Diameter
6-3/4" (17.1cm)
Spacing:
Top Rail:
IPBR9007,IPBR9003
Bottom Rail:
IPBR9057,IPBR9053



IPB8060
Height 20" (50.8cm)

Bottom Square
2-1/2" (6.3cm)
Spacing: 5" o/c
Top Rail:
IPBR9007,IPBR9003
Bottom Rail:
IPBR9057,IPBR9053



IPB8000
Height 20-1/4" (51.4cm)

Bottom Square
2-3/4" (6.9cm)
Spacing:
Top Rail: IPBR9000
IPBR9001,IPBR9002
Bottom Rail: IPBR9050
IPBR9051,IPBR9052-53



IPB8063
Height 21-3/16" (53.8c)

Top Square
2-3/4" (6.9cm)
Spacing: 5-7/16" o/c
Top Rail: IPBR9007
IPBR9003
Bottom Rail:
IPBR9057, IPBR9053



IPB8064
Height 22" (55.8cm)

Top Square
5-1/4" (13.3cm)
Spacing: 6-3/4" o/c
Top Rail: IPBR9000
Bottom Rail:
IPBR9050




IPB8065
Height 22"(55.8cm)

Top Square
5-3/4" (14.6cm)
Spacing: 6-5/8" o/c
Top Rail: IPBR9004
Bottom Rail:
IPBR9054



IPB8052
High 22-5/8"(57cm)

Top Diameter
6-5/8" (16.8cm)
Spacing: 6-3/4" o/c
Top Rail: IPBR9004
Bottom Rail:
IPBR9054




IPNP8301
High 23-13/16" (60.5cm)

Top Square
2-9/16" (6.5cm)
Spacing
Top Rail: IPBR9002
IPBR9007
Bottom Rail:
IPBR9057, IPBR9053




IPNP8302
Height 24" (61cm)

Top Square
2-5/8" (6.7cm)
Spacing
Top Rail: IPBR9002
IPBR9007
Bottom Rail:
IPBR9057, IPBR9053



IPB8006
Height 24" (61cm)

Top Square
2-1/2" (6.3cm)
Spacing
Top Rail: IPBR9007
IPBR9003
Bottom Rail:
IPBR9057, IPBR9053




IPB8068
Height 24" (61cm)

Top Square
3" (7.62cm)
Spacing 6-1/16" o/c
Top Rail: IPBR9003
IPNP8308
Bottom Rail:
IPBR9053, IPNP8309




IPB8071
High 24" (60.9cm)

Bottom Square
Spacing 8-1/2" o/c
Top Rail: IPBR9004
Bottom Rail:
IPBR9054
IPBR9060




IPB8002
Height 24-1/4" (61.6)

Top Square
6" (15.2cm)
Spacing 7" o/c
Top Rail: IPBR9004
Bottom Rail:
IPBR9054, IPBR9060



IPB8003
Height 24-3/4"(62.8)

Top Square
4-3/8" (11cm)
Spacing 6-5/8" o/c
Top Rail: IPBR9001
IPB9000
Bottom Rail:
IPBR9051, IPBR9050



IPB8004
High 24-3/4" (62.8cm)

Top Square
2-7/8" (7.3cm)
Spacing 5-1/2" o/c
Top Rail: IPBR9003
IPNP8308
Bottom Rail:
IPBR9053, IPNP8309



IPB8070
High 24-7/8" (63cm)

Top Square
4-1/2" (11.4cm)
Spacing
Top Rail: IPBR9000
Bottom Rail:
IPBR9050,IPBR9059




IPB8072
High 25-3/8" (64.4cm)

Top Diameter
5-5/16" (13.5cm)
Spacing 8-1/16" o/c
Top Rail: IPBR9004
Bottom Rail:
IPBR9054,IPBR9060



IPB8073
High 27" (68.5cm)

Top Square
5-3/4" (14.6cm)
Spacing 6" o/c
Top Rail: IPBR9004
Bottom Rail:
IPBR9054,IPBR9060



IPB8033
High 27-3/4" (70.4cm)

Top Square
4-1/4" (10.79cm)
Spacing 6-1/4" o/c
Top Rail: IPBR9001
IPBR9000
Bottom Rail:
IPBR9051,IPBR9050

Arch-Polymer - double Primed ready-to-paint, Lite weight, will not crack
PVC Reenforced, Interior & Exterior use, Optional interior Class-A Fire rated

6" Top & Bottom Extensions
Available on all Balusters


* All prices & specifications subject to change without notice, Final Product may vary from this brochure, Refer to local building codes for heights

Standard Round & Square Balusters - ArchPolymer™




IPB8005
Height 27-7/8" (70.8)

Top Square
5-1/4" (13.3cm)
Spacing 6-3/4" o/c
Top Rail: IPBR9000
IPBR9059-10
Bottom Rail:
IPBR9050




IPB8074
High 27-7/8" (70.8cm)

Top Square
2-1/2" (6.35cm)
Spacing 5-1/2" o/c
Top Rail: IPBR9007
IPBR9003
Bottom Rail:
IPBR9057, IPBR9053



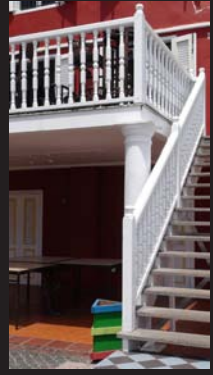
IPNP8303
Height 28" (71.1cm)

Top Square
2-9/16" (6.52cm)
Spacing
Top Rail: IPBR9007
IPBR9003, IPNP8308
Bottom Rail:
IPBR9057, IPBR9053
IPNP8309




IPB8032
Height 28" (71cm)

Top Square
7-3/8" (18.7cm)
Spacing 7-11/16" o/c
Top Rail: IPBR9004
Bottom Rail:
IPBR9054
IPBR9060




IPB8034
Height 28" (71cm)

Top Square
5" (12.7cm)
Spacing 6-1/2" o/c
Top Rail:
IPBR9000
Bottom Rail:
IPBR9050




IPB8036
Height 28" (71cm)

Top Square
5-3/16" (13.1cm)
Spacing 6-3/4" o/c
Top Rail:
IPBR9000
Bottom Rail:
IPBR9050



IPB8037
High 29-5/8" (75.2cm)

Top Square
5" (12.7cm)
Spacing 6-7/8" o/c
Top Rail: IPBR9000
Bottom Rail:
IPBR9050, IPBR9059




IPB8038
High 29-5/8" (75cm)

Top Square
4-3/8" (11.1cm)
Spacing 6-5/8" o/c
Top Rail: IPBR9001
IPBR9000
Bottom Rail:
IPBR9051, IPBR9050




IPB8039
Height 30" (76.2cm)

Top Square
7-3/8" (18.7cm)
Spacing
7-11/16" o/c
Top Rail: IPBR9004
Bottom Rail:
IPBR9054



IPB8040
Height 30" (76.2cm)

Top Square
2-1/2" (6.35cm)
Spacing 4-13/16" o/c
Top Rail: IPBR9007
Bottom Rail:
IPBR9057




IPB8041
Height 30" (76.2cm)

Top Square
5-1/4" (13.3cm)
Top Rail: IPBR9007
Bottom Rail:
IPBR9057




IPB8043
Height 30" (76cm)

Top Square
5" (12.7cm)
Spacing 5-1/2" o/c
Top Rail: IPBR9007
Bottom Rail:
IPBR9057


IPB8045
High 30-5/8" (77cm)

Top Square
5-1/4" (13.33cm)
Spacing 7" o/c
Top Rail: IPBR9000
Bottom Rail:
IPBR9050, IPBR9059



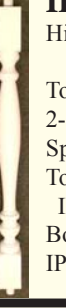
IPB8046
High 30-7/8" (78.4cm)

Top Square
2-1/2" (6.35cm)
Spacing 5-1/2" o/c
Top Rail: IPBR9007
IPBR9003
Bottom Rail:
IPBR9057, IPBR9053




IPB8049
High 31-7/8" (80.9cm)

Top Square
4-7/8" (12.38cm)
Spacing 6-7/8" o/c
Top Rail: IPBR9000
Bottom Rail:
IPBR9050



IPNP8300
High 32" (81.2cm)

Top Square
2-9/16" (6.5cm)
Spacing
Top Rail: IPBR9007
IPBR9003, IPNP8308
Bottom Rail: IPNP8309
IPBR9057, IPBR9053




IPB8008
Height 32" (81.2cm)

Top Square
2-1/2" (6.35cm)
Spacing
Top Rail: IPBR9007
IPBR9003
Bottom Rail:
IPBR9057, IPBR9053



IPB8007
Height 32" (81.2cm)

Top Square
6" (15.24cm)
Spacing 7-1/16" o/c
Top Rail: IPBR9004
Bottom Rail:
IPBR9054



IPB8076
High 32" (81.2cm)

Top Square
5-1/4" (13.3cm)



IPB8012
High 32" (81.2cm)

Top Square
6" (15.24cm)
Spacing 7-1/16" o/c
Top Rail: IPBR9004
Bottom Rail:
IPBR9054
IPBR9060

Arch-Polymer - double Primed ready-to-paint, Lite weight, will not crack
PVC Reenforced, Interior & Exterior use, Optional interior Class-A Fire rated

6" Top & Bottom Extensions Available on all Balusters

* All prices & specifications subject to change without notice, Final Product may vary from this brochure, Refer to local building codes for heights




Standard Round & Square Balusters - ArchPolymer™



IPB8016
High 33-9/16" (85.2cm)

Top Square
7" (17.78cm)
Spacing 7-7/8" o/c
Top Rail: IPBR9004
Bottom Rail:
IPBR9054, IPBR9060



IPB8009
High 34" (86.3cm)

Top Square
2-1/2" (6.35cm)
Spacing
Top Rail: IPBR9007
IPBR9003 IPNP8308
Bottom Rail: IPNP8309
IPBR9057, IPBR9053




IPB8010
High 34-3/4" (88.2cm)

Top Square
4-1/4" (10.79cm)
Spacing 6-1/4" o/c
Top Rail: IPBR9001
IPBR9000
Bottom Rail:
IPBR9051, IPBR9059





IPB8017
High 35" (88.9cm)

Top Square
5-1/4" (13.3cm)
Spacing 5-7/8" o/c
Top Rail: IPBR9000
Bottom Rail:
IPBR9050
IPBR9059



IPB8011
High 35" (88.9cm)

Top Square
5-1/4" (13.3cm)
Spacing
Top Rail: IPBR9000
Bottom Rail:
IPBR9050




IPB8079
High 35" (88.9cm)

Top Square
7-1/2" (19cm)




IPB8077
High 36" (91.4cm)

Top Square
5-1/4" (13.3cm)




IPB8019
High 36" (91.4cm)

Top Square
5" (12.7cm)
Spacing 6-1/2" o/c
Top Rail: IPBR9000
Bottom Rail:
IPBR9059
IPBR9050




IPB8020
High 36" (91.4cm)

Top Square
2-1/2" (6.35cm)
Spacing 5-7/16" o/c
Top Rail: IPBR9007
IPBR9003
Bottom Rail:
IPBR9057
IPBR9053




IPB8027
High 41-3/8"
105cm
Top Square
4-3/8" (11.1cm)
Spacing 6-5/8" o/c
Top Rail: IPBR9001
IPBR9000
BRail: IPBR9051
IPBR9050

Stair Brackets
Height 7-1/16"
17.9cm
Width 10-5/8"
26.9cm




IPB8021
High 36" (91.4cm)

Top Square
3" (7.6cm)
Spacing 6-1/16 o/c
Top Rail: IPBR9001
IPBR9003 IPNP8308
Bottom Rail: IPNP8309
IPBR9053 IPBR9051




IPB8022
High 36-1/2" (92.7cm)

Top Square
4-1/4" (10.7cm)
Spacing 6-1/4 o/c
Top Rail: IPBR9001
IPBR9000
Bottom Rail:
IPBR9050 IPBR9051



IPB8023
High 36-3/4" (93.3cm)

Top Square
4-3/8" (11.1cm)
Spacing 6-5/8" o/c
Top Rail: IPBR9000
Bottom Rail:
IPBR9050



IPB8029
High 41-5/8"
105cm
Top Square
5" (12.7cm)
Spacing 6-7/8" o/c
Top Rail:
IPBR9000
Bottom Rail:
IPBR9050

IPNP4748



IPNP4749
Height 7-1/16"
Width 10-5/8"




IPB8024
High 37-1/4" (94.6cm)

Top Square
7-3/8" (18.7cm)
Spacing 7-11/16" o/c
Top Rail: IPBR9004
Bottom Rail:
IPBR9054



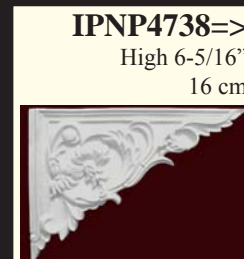
IPB8025
High 38-1/4" (97cm)

Top Square
8-3/8" (21.2cm)
Spacing 16-7/16" o/c
Top Rail: IPBR9004
Bottom Rail:
IPBR9054

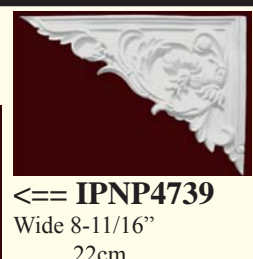


IPB8026
High 40" (101.6cm)

Top Square
4-1/4" (10.7cm)
Spacing 6-1/4" o/c
Top Rail: IPBR9001
IPBR9000
Bottom Rail: IPBR9059
IPBR9051, IPBR9050



IPNP4738=>
High 6-5/16"
16 cm



<== IPNP4739
Wide 8-11/16"
22cm

Arch-Polymer - double Primed ready-to-paint, Lite weight, will not crack
PVC Reenforced, Interior & Exterior use, Optional interior Class-A Fire rated

* All prices & specifications subject to change without notice, Final Product may vary from this brochure, Refer to local building codes for heights



www.imperialproductions.com 800-399-7585 416-264-6097 Fax 416-264-6098

Imperial Productions & Distribution Inc
email sales@imperialproductions.com

Toronto / New York

copyright 2016 MRDCI All Rights Reserved

Railings Page 5
Vol 7: Spring 2017

Standard Round & Square Balusters - ArchPolymer™



IPNP8307
 Height 48" (121.9cm)
 5-1/2" x 5-1/2"
 122cm x 122cm
Compatible Railings
 IPBR9002 / IPBR9052
 IPBR9007 / IPBR9057
 IPBR9003 / IPBR9053
 IPNP8308 / IPNP8309
Pyramid Top Cap
 IPNP8305
Bevel Flat Top Cap
 IPNP8306
Ball IPNP8304



IPB9000
 Height 45-3/4" (116.2cm)
 Shaft 6" x 6" (15.2cm)
 Ball Diameter
 3-1/6" (7.7cm)
Compatible Railings
 IPBR9002 / IPBR9052
 IPBR9007 / IPBR9057
 IPBR9003 / IPBR9053
 IPNP8308 / IPNP8309
Includes Ball & Frame
IPB9005
 Shaft 6"x6" (15.2cm)
 No Ball, Cap or Base



IPB9006
 Height 48" (121.9cm)
 7-1/4" x 7-1/4" (18.4cm)
Compatible Railings
 IPBR9002 / IPBR9052
 IPBR9007 / IPBR9057
 IPBR9003 / IPBR9053
 IPNP8308 / IPNP8309
Pyramid Top Cap
 IPB9101
Bevel Flat Top Cap
 IPB9151
Trim Frame
 IPB9251



Trim Frame
 Inside Size Below

IPB9250
 6-1/8" x 6-1/8" (15.5cm)
IPB9251
 7-3/8" x 7-3/8" (18.7cm)
IPB9252
 8-1/8" x 8-1/8" (20.6cm)
IPB9253
 12-1/8" x 12-1/8" (30.4cm)
IPB9254
 14-1/8" x 14-1/8" (40.9cm)



IPB9007
 Height 48" (121.9cm)
 8" x 8" (20cm)
Compatible Railings
 IPBR9002 / IPBR9052
 IPBR9007 / IPBR9057
 IPBR9003 / IPBR9053
 IPNP8308 / IPNP8309
Pyramid Top Cap
 IPB9103
Bevel Flat Top Cap
 IPB9152
Trim Frame IPB9252



IPB9008
 Height 48" (121.9cm)
 8" x 8" (20cm)
Compatible Railings
 IPBR9002 / IPBR9052
 IPBR9007 / IPBR9057
 IPBR9003 / IPBR9053
 IPNP8308 / IPNP8309
Pyramid Top Cap
 IPB9103
Bevel Flat Top Cap
 IPB9152
Trim Frame IPB9252



IPB9009
 Height 48" (121.9cm)
 12" x 12" (30.4cm)
Compatible Railings
 IPBR9002 / IPBR9052
 IPBR9007 / IPBR9057
 IPBR9003 / IPBR9053
 IPNP8308 / IPNP8309
Pyramid Top Cap
 IPB9105
Bevel Flat Top Cap
 IPB9154
Trim Frame IPB9253



Supports
 use every
 48" (121cm)

IPB9300
 3-1/8" x 3-1/8" (7.9cm)
 Height 2" (5.08cm)
IPB9301
 6" x 6" (15.2cm)
 Height 4" (10.16cm)
IPB9302
 6" x 6" (15.2cm) Height
 5-3/4" 914.6cm)



IPB9010
 Height 48" (121.9cm)
 12" x 12" (30.48cm)
Compatible Railings
 IPBR9002 / IPBR9052
 IPBR9007 / IPBR9057
 IPBR9003 / IPBR9053
 IPNP8308 / IPNP8309
Pyramid Top Cap
 IPB9105
Bevel Flat Top Cap
 IPB9154
Trim Frame IPB9253



IPB9011
 Height 48" (121.9cm)
 12" x 12" (30.48cm)
Compatible Railings
 IPBR9002 / IPBR9052
 IPBR9007 / IPBR9057
 IPBR9003 / IPBR9053
 IPNP8308 / IPNP8309
Pyramid Top Cap
 IPB9105
Bevel Flat Top Cap
 IPB9154
Trim Frame IPB9253



IPB9012
 Height 44" (111.7cm)
 14" x 14" (35.5cm)
Compatible Railings
 IPBR9002 / IPBR9052
 IPBR9007 / IPBR9057
 IPBR9003 / IPBR9053
 IPNP8308 / IPNP8309
 IPBR9004 / IPBR9054
Pyramid Top Cap
 IPB9106
Bevel Flat Top Cap
 IPB9255
Trim Frame IPB9254



IPB9014
 Height
 44" (111.7cm)
 14" x 14"
 (35.5 x 35.5cm)

Compatible Railings
 IPBR9002 / IPBR9052
 IPBR9007 / IPBR9057
 IPBR9003 / IPBR9053
 IPNP8308 / IPNP8309
 IPBR9004 / IPBR9054
Pyramid Top Cap IPB9106
Bevel Flat Top Cap IPB9255
Frame IPB9254



IPNP8304
 Base 5-1/4"
 (13.3cm)
 Ball Diameter
 4-3/8" (11cm)
 Height
 6-3/4" (17.1cm)



Code	Base	Ball Diameter	Height
IPB9200	3-7/16" (9.8cm)	4-1/8" (10.4cm)	5-3/8" (13.6cm)
IPB9201	4-7/16" (11.2cm)	5-1/4" (13.3cm)	5-1/4" (13.3cm)
IPB9202	5-1/4" (13.3cm)	5-1/4" (13.3cm)	7-1/2" (19cm)
IPB9203	5-1/4" (13.3cm)	6-1/16" (15.4cm)	9-3/4" (24.7cm)
IPB9204	5-11/16" (14.4)	7" (17.78cm)	11-7/16" (29cm)
IPB9205	8-3/4" (22.2cm)	9-15/16" (25.2cm)	15-13/16" (40cm)

Arch-Polymer - double Primed ready-to-paint, Lite weight, will not crack
 PVC Reinforced, Interior & Exterior use, Optional interior Class-A Fire rated

* All prices & specifications subject to change without notice, Final Product may vary from this brochure, Refer to local building codes for heights



www.imperialproductions.com

Imperial Productions & Distribution Inc
 email sales@imperialproductions.com

800-399-7585 416-264-6097

Toronto / New York

copyright 2016 MRDCI All Rights Reserved

Fax 416-264-6098

Railings Page 6

Vol 7: Spring 2017

Caps & Railings

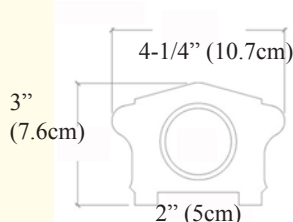


Code	Square	Height
IPNP8305	6-1/2" (16.5cm)	1-1/2" (3.8cm)
IPB9100	6-1/2" (16.5cm)	1-1/2" (3.8cm)
IPB9101	7-7/8" (20cm)	1-1/2" (3.8cm)
IPB9102	8-3/8" (21.2cm)	1-1/2" (3.8cm)
IPB9103	9-1/4" (23.5cm)	1-1/2" (3.8cm)
IPB9104	12-1/2" (31.7cm)	1-1/2" (3.8cm)
IPB9105	14" (35.56cm)	1-7/8" (4.7cm)
IPB9106	16" (40.6cm)	2" (5cm)
IPB9107	17" (43cm)	2-1/2" (6.3cm)
IPB9108	18" (45.7cm)	2" (5cm)
IPB9109	22" (55.8cm)	2-1/2" (6.3cm)

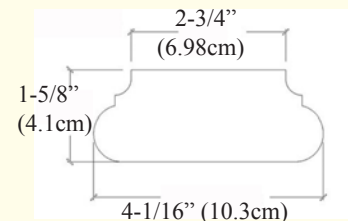


Code	Square	Height
IPNP8306	6-1/2" (16.5cm)	1-1/2" (3.8cm)
IPB9150	6-1/2" (16.5cm)	1-1/2" (3.8cm)
IPB9151	8" (20.3cm)	1-1/2" (3.8cm)
IPB9152	9" (22.8cm)	1-1/2" (3.8cm)
IPB9156	9-1/2" (24.1cm)	2" (5cm)
IPB9153	10" (25.4cm)	1-1/2" (3.8cm)
IPB9154	14" (35.56cm)	1-1/2" (3.8cm)
IPB9155	16" (40.6cm)	1-1/2" (3.8cm)

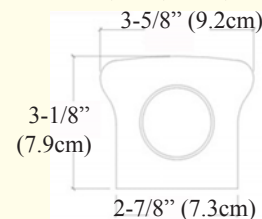
IPBR9002 12 Ft (3.66m)



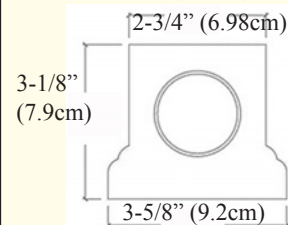
IPBR9052 12 Ft (3.66m)



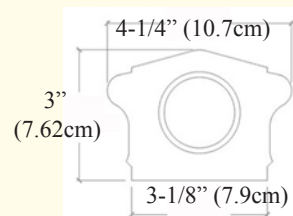
IPBR9007 (8 Ft (2.43m)



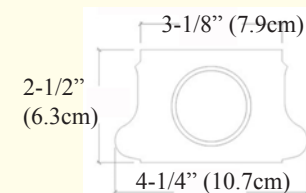
IPBR9057 8 Feet (2.43m)
12 Ft (3.66m)



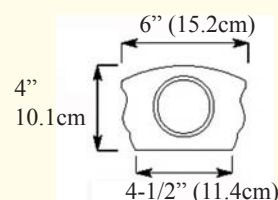
IPBR9003 12 Ft (3.66m)



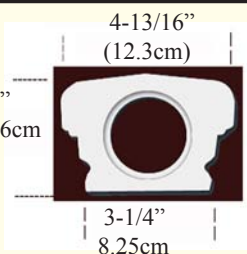
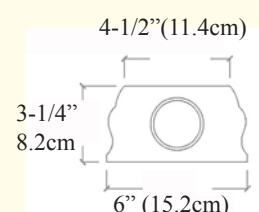
IPBR9053 12 Ft (3.66m)



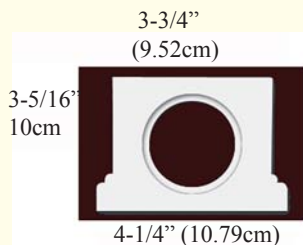
IPBR9001 (10 Ft (3.04m)



IPBR9051 10 Ft (3.04m)

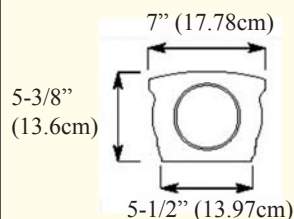


IPNP8308
8 Feet
(3.66m)

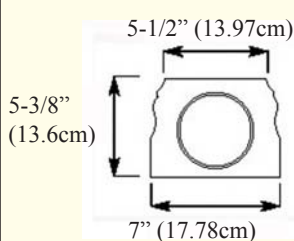


IPNP8309
8 Feet
(3.66m)

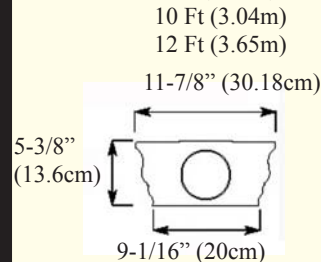
IPBR9000 8 Ft (2.43m)



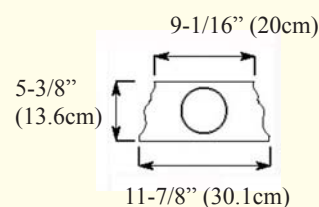
IPBR9050 8 Ft (2.43m)



IPBR9004 8 Ft (2.43m)



IPBR9054 8 Ft (2.43m)
10 Ft (3.04m)
12 Ft (3.65m)



Arch-Polymer - double Primed ready-to-paint, Lite weight, will not crack
PVC Reinforced, Interior & Exterior use, Optional interior Class-A Fire rated

* All prices & specifications subject to change without notice, Final Product may vary from this brochure, Refer to local building codes for heights



www.imperialproductions.com 800-399-7585 416-264-6097 Fax 416-264-6098

Imperial Productions & Distribution Inc
email sales@imperialproductions.com

Toronto / New York

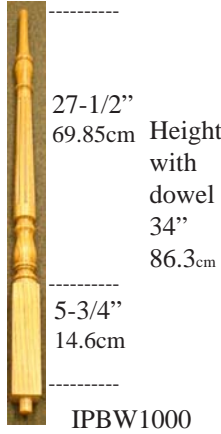
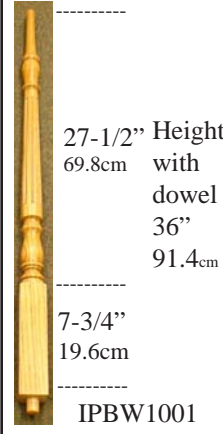
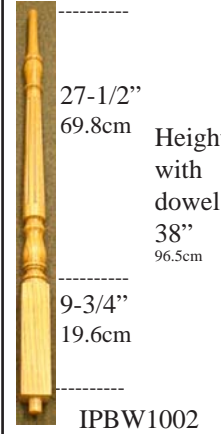
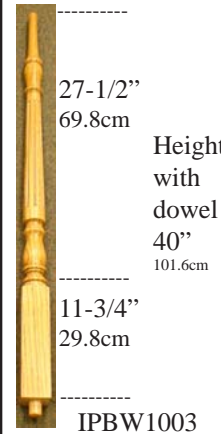
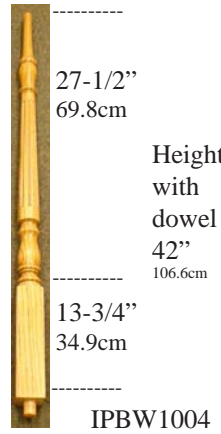

copyright 2016 MRDCI All Rights Reserved

Railings Page 7
Vol 7: Spring 2017

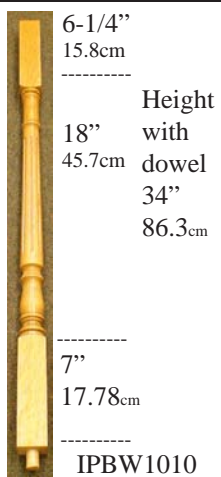
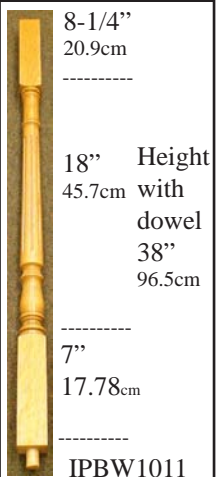

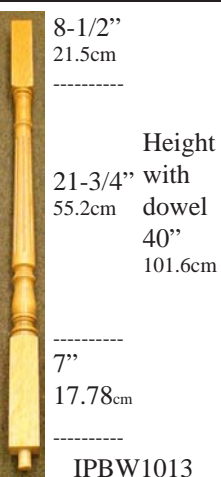
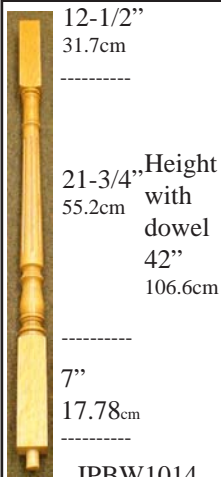

STANDARD: Fluted

Hard Maple, Red Oak, Birch, Cherry, Walnut

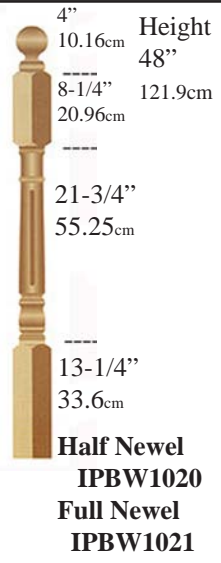
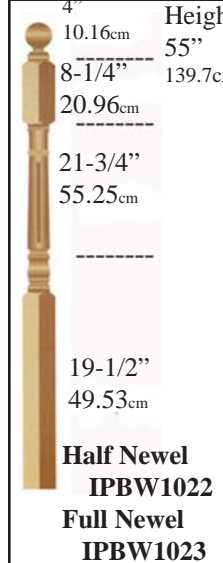
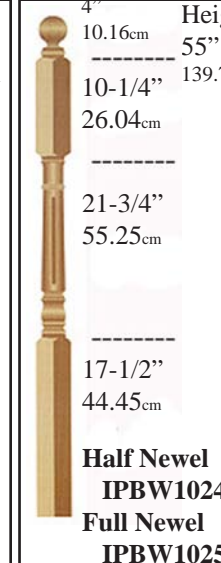
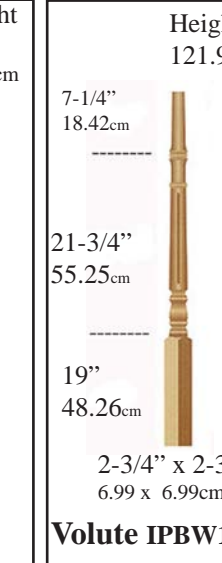
DOWEL TOP BALUSTERS: 1-3/4" x 1-3/4" with 3/4" dowel (4.45cm x 4.45cm with 1.9cm)

 <p>27-1/2" 69.85cm</p> <p>Height with dowel 34" 86.3cm</p> <p>5-3/4" 14.6cm</p> <p>IPBW1000</p>	 <p>27-1/2" 69.8cm</p> <p>Height with dowel 36" 91.4cm</p> <p>7-3/4" 19.6cm</p> <p>IPBW1001</p>	 <p>27-1/2" 69.8cm</p> <p>Height with dowel 38" 96.5cm</p> <p>9-3/4" 19.6cm</p> <p>IPBW1002</p>	 <p>27-1/2" 69.8cm</p> <p>Height with dowel 40" 101.6cm</p> <p>11-3/4" 29.8cm</p> <p>IPBW1003</p>	 <p>27-1/2" 69.8cm</p> <p>Height with dowel 42" 106.6cm</p> <p>13-3/4" 34.9cm</p> <p>IPBW1004</p>	 <p>27-1/2" 69.8cm</p> <p>Height with dowel 44" 111.7cm</p> <p>13-3/4" 34.9cm</p> <p>IPBW1005</p>
---	--	--	---	--	--

SQUARE TOP BALUSTERS: 1-3/4" x 1-3/4" with 3/4" dowel (4.45cm x 4.45cm with 1.9cm)

 <p>6-1/4" 15.8cm</p> <p>Height with dowel 18" 45.7cm</p> <p>34" 86.3cm</p> <p>7" 17.78cm</p> <p>IPBW1010</p>	 <p>8-1/4" 20.9cm</p> <p>Height with dowel 18" 45.7cm</p> <p>38" 96.5cm</p> <p>7" 17.78cm</p> <p>IPBW1011</p>	 <p>6-1/2" 16.5cm</p> <p>Height with dowel 21-3/4" 55.2cm</p> <p>38" 96.5cm</p> <p>7" 17.78cm</p> <p>IPBW1012</p>	 <p>8-1/2" 21.5cm</p> <p>Height with dowel 21-3/4" 55.2cm</p> <p>40" 101.6cm</p> <p>7" 17.78cm</p> <p>IPBW1013</p>	 <p>12-1/2" 31.7cm</p> <p>Height with dowel 21-3/4" 55.2cm</p> <p>42" 106.6cm</p> <p>7" 17.78cm</p> <p>IPBW1014</p>	 <p>14-1/2" 36.8cm</p> <p>Height with dowel 21-3/4" 55.2cm</p> <p>44" 111.7cm</p> <p>7" 17.78cm</p> <p>IPBW1015</p>
---	---	---	---	---	---

FULL & 1/2 NEWEL POSTS: 3-1/2" x 3-1/2" (8.89cm x 8.89cm)

 <p>4" 10.16cm</p> <p>Height 48" 121.9cm</p> <p>8-1/4" 20.96cm</p> <p>21-3/4" 55.25cm</p> <p>13-1/4" 33.6cm</p> <p>Half Newel IPBW1020 Full Newel IPBW1021</p>	 <p>4" 10.16cm</p> <p>Height 55" 139.7cm</p> <p>8-1/4" 20.96cm</p> <p>21-3/4" 55.25cm</p> <p>19-1/2" 49.53cm</p> <p>Half Newel IPBW1022 Full Newel IPBW1023</p>	 <p>4" 10.16cm</p> <p>Height 55" 139.7cm</p> <p>10-1/4" 26.04cm</p> <p>21-3/4" 55.25cm</p> <p>17-1/2" 44.45cm</p> <p>Half Newel IPBW1024 Full Newel IPBW1025</p>	 <p>Height 48" 121.9cm</p> <p>7-1/4" 18.42cm</p> <p>21-3/4" 55.25cm</p> <p>19" 48.26cm</p> <p>2-3/4" x 2-3/4" 6.99 x 6.99cm</p> <p>Volute IPBW1026</p>
---	--	---	--



* All prices & specs subject to change without notice, Final Product may vary from this brochure
Refer to local building codes for height requirements and spacing



www.imperialproductions.com

Imperial Productions & Distribution Inc
email sales@imperialproductions.com

Toronto







copyright 2016 MRDCI All Rights Reserved

800-399-7585 416-264-6097 Fax 416-264-6098


Railings Page 8

Vol 7: Spring 2017

DOWEL TOP: 1-5/16" x 1-5/16" with 1" dowel (3.33cm x 3.33cm with 2.54cm dowel)

 <p>Height with dowel 28-1/4" 71.7cm 34" 36.3cm</p> <p>5" 12.7cm</p> <p>IPBW1100</p>	 <p>Height with dowel 28-1/4" 71.7cm 36" 91.4cm</p> <p>7" 17.7cm</p> <p>IPBW1101</p>	 <p>Height with dowel 28-1/4" 71.7cm 38" 96.5cm</p> <p>9" 22.8cm</p> <p>IPBW1102</p>	 <p>Height with dowel 28-1/4" 71.7cm 40" 101.6cm</p> <p>11" 27.9cm</p> <p>IPBW1103</p>	 <p>Height with dowel 28-1/4" 71.7cm 42" 106.6cm</p> <p>13" 33cm</p> <p>IPBW1104</p>	 <p>Height with dowel 28-1/4" 71.7cm 44" 111.7cm</p> <p>15" 38cm</p> <p>IPBW1105</p>
---	---	---	---	---	---

5015 FULL AND HALF NEWEL POSTS:




3-3/4" 9.5cm
10" 25.4cm
20-1/4" 51.44cm
9" 22.8cm

Height
43" 109.2cm

Square Base
3" x 3" 7.62cm

Half Newel
IPBW1121

Full Newel
IPBW1120




3-3/4" 9.5cm
10" 25.4cm
20-1/4" 51.44cm
14" 35.5cm

Height
48" 121.9cm

Square Base
3" x 3" 7.6cm

Half Newel
IPBW1123

Full Newel
IPBW1122




3-3/4" 9.5cm
10" 25.4cm
20-1/4" 51.44cm
21" 53.3cm

Height
55" 139.7cm

Square Base
3" x 3" 7.6cm

Half Newel
IPBW1125

Full Newel
IPBW1124


3-3/4" 9.5cm
10" 25.4cm
20-1/4" 51.44cm
9" 22.8cm

Height
43" 109.2cm

Square Base
2-7/8" x 2-7/8" 7.3cm x 7.3cm

Half Newel
IPBW1127

Full Newel
IPBW1126




3-3/4" 9.5cm
10" 25.4cm
20-1/4" 51.44cm
14" 35.5cm

Height
48" 121.9cm

Square Base
2-7/8" x 2-7/8" 7.3cm x 7.3cm

Half Newel
IPBW1129

Full Newel
IPBW1128




3-3/4" 9.5cm
10" 25.4cm
20-1/4" 51.44cm
21" 53.3cm

Height
55" 139.7cm

Square Base
2-7/8" x 2-7/8" 7.3cm x 7.3cm

Half Newel
IPBW1131

Full Newel
IPBW1130



27-1/4" 69.22cm
19" 48.2cm

Volute
IPBW1132




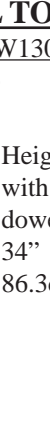


high 48" 121.9cm
2-3/4" x 2-3/4" 6.9 x 6.9cm

* All prices & specs subject to change without notice, Final Product may vary from this brochure
Refer to local building codes for height requirements and spacing





STANDARD: Colonial Hard Maple, Red Oak, Birch, Cherry, Walnut


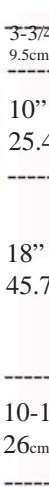

DOWEL TOP: 1-5/16" x 1-5/16" with 3/4" dowel (3.33cm x 3.33cm with 1.9cm dowel)

 <p>IPBW1300 25-1/4" 64.1cm Height with dowel 34" 86.3cm 8" 20.32cm</p>	 <p>IPBW1301 25-1/4" 64.1cm Height with dowel 36" 91.4cm 10" 25.4cm</p>	 <p>IPBW1302 25-1/4" 64.1cm Height with dowel 38" 96.5cm 12" 30.4cm</p>	 <p>IPBW1303 25-1/4" 64.1cm Height with dowel 40" 101.6cm 14" 35.5cm</p>	 <p>IPBW1304 25-1/4" 64.1cm Height with dowel 42" 106.6cm 16" 40.6cm</p>	 <p>IPBW1305 25-1/4" 64.1cm Height with dowel 44" 111.7cm 18" 45.7cm</p>
---	---	---	--	--	--

SQUARE TOP BALUSTERS: 1-5/16" x 1-5/16" with 1" dowel (3.33cm x 3.33cm with 2.54cm dowel)


 <p>IPBW1310 7" 17.7cm 18-1/4" 46.36cm Height with dowel 34" 86.3cm 7-3/4" 19.6cm</p>	 <p>IPBW1311 7" 17.7cm 18-1/4" 46.36cm Height with dowel 36" 91.4cm 9-3/4" 24.7cm</p>	 <p>IPBW1312 7" 17.7cm 18-1/4" 46.36cm Height with dowel 38" 96.5cm 11-3/4" 29.8cm</p>	 <p>IPBW1313 7" 17.7cm 18-1/4" 46.36cm Height with dowel 40" 101.6cm 13-3/4" 34.9cm</p>	 <p>IPBW1314 7" 17.7cm 18-1/4" 46.36cm Height with dowel 42" 106.6cm 15-3/4" 40cm</p>	 <p>IPBW1315 7" 17.7cm 18-1/4" 46.36cm Height with dowel 44" 111.7cm 17-3/4" 45cm</p>
--	--	---	--	--	--

FULL AND HALF NEWEL POSTS:

 <p>3-3/4" 9.5cm 42" 106.68cm 10" 25.4cm Square Base 2-7/8" x 2-7/8" 7.3cm 18" 45.72cm Full Newel IPHP1320 Half Newel IPHP1321 10-1/4" 26cm</p>	 <p>3-3/4" 9.5cm 48" 121.92cm 10" 25.4cm Square Base 2-7/8" 7.32cm 18" 45.72cm Full Newel IPHP1322 Half Newel IPHP1323 16-1/4" 41.2cm</p>	 <p>3-3/4" 9.5cm 55" 139.7cm 10" 25.4cm Square Base 2-7/8" 7.32cm 18" 45.72cm Full Newel IPHP1324 23-1/4" 59cm</p>
--	--	--

Volute

IPBW1325
high 42" (106.6cm)
2-3/4" x 2-3/4"
6.99cm x 6.99cm

 <p>24-1/2" 62.2cm 17-1/2" 44.4cm</p>
--



* All prices & specs subject to change without notice, Final Product may vary from this brochure
Refer to local building codes for height requirements and spacing



www.imperialproductions.com 800-399-7585 416-264-6097 Fax 416-264-6098

Imperial Productions & Distribution Inc
email sales@imperialproductions.com







Toronto

copyright 2016 MRDCI All Rights Reserved

Railings Page 10
Vol 7: Spring 2017







STANDARD: Recessed Spiral: Hard Maple, Red Oak, Birch, Cherry, Walnut

DOWEL TOP: 1-3/4" x 1-3/4" with 1" dowel (4.45cm x 4.45cm with 2.54cm dowel)





 <p>IPBW1206 27-1/2" 69.85cm Height with dowel 34" 86.36cm 5-3/4" 14.6cm</p>	 <p>IPBW1207 27-1/2" 69.85cm Height with dowel 36" 91.4cm 7-3/4" 19.6cm</p>	 <p>IPBW1208 27-1/2" 69.85cm Height with dowel 38" 96.5cm 9-3/4" 24.7cm</p>	 <p>IPBW1209 27-1/2" 69.85cm Height with dowel 40" 101.6cm 11-3/4" 29.8cm</p>	 <p>IPBW1210 27-1/2" 69.85cm Height with dowel 42" 106.6cm 13-3/4" 34.9cm</p>	 <p>IPBW1211 27-1/2" 69.85cm Height with dowel 44" 111.7cm 15-3/4" 40cm</p>
--	---	---	---	--	---



SQUARE TOP BALUSTERS 1-3/4" x 1-3/4" with 1" dowel (4.45cm x 4.45cm with 2.54cm dowel)

 <p>6-1/4" 15.8cm Height with dowel 34" 86.3cm 18" 45.7cm 7" 17.7cm IPBW1200</p>	 <p>8-1/4" 20.9cm Height with dowel 38" 96.5cm 18" 45.7cm 7" 17.7cm IPBW1201</p>	 <p>6-1/2" 16.5cm Height with dowel 38" 96.5cm 21-3/4" 55.2cm 7" 17.7cm IPBW1202</p>	 <p>8-1/2" 21.5cm Height with dowel 40" 101.6cm 21-3/4" 55.2cm 7" 17.7cm IPBW1203</p>	 <p>12-1/2" 31.7cm Height with dowel 42" 106.6cm 21-3/4" 55.2cm 7" 17.7cm IPBW1204</p>	 <p>14-1/2" 37.1cm Height with dowel 44" 111.7cm 21-3/4" 55.2cm 7" 17.7cm IPBW1205</p>
---	---	---	--	---	---

FULL & HALF NEWEL POSTS: 3-1/2" 3-1/2" (8.89cm x 8.89cm)

 <p>4" 10.1cm 8-1/4" 20.9cm 21-3/4" 55.25cm 13-3/4" 34.9cm Full Newel IPBW1220 Half Newel IPBW1221</p>	 <p>4" 10.1cm 8-1/4" 20.9cm 21-3/4" 55.25cm 21" 53.3cm Full Newel IPBW1222 Half Newel IPBW1223</p>	 <p>4" 10.1cm 10-1/4" 26cm 21-3/4" 55.25cm 19" 48.2cm Full Newel IPBW1224 Half Newel IPBW1225</p>	<p>Volute IPBW1226</p>  <p>7-1/4" 18.42cm 21-3/4" 55.25cm high 48" (121.9cm) 2-3/4" x 2-3/4" 6.9 x 6.9cm 19" 48.2cm</p>
---	---	--	---



* All prices & specs subject to change without notice, Final Product may vary from this brochure
Refer to local building codes for height requirements and spacing



www.imperialproductions.com 800-399-7585 416-264-6097 Fax 416-264-6098

Imperial Productions & Distribution Inc
email sales@imperialproductions.com

Toronto

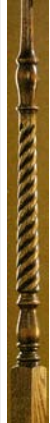


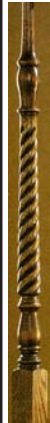

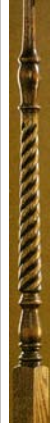
copyright 2016 MRDCI All Rights Reserved

Railings Page 11
Vol 7: Spring 2017







STANDARD: Rope

Hard Maple, Red Oak, Birch, Cherry, Walnut




DOWEL TOP: 1-3/4" x 1-3/4" with 3/4" dowel (4.45cm x 4.45cm with 1.9cm dowels)

 <p>IPBW1400 27-1/2" 69.8cm</p> <p>Total Height with dowel 5-3/4" 34" 14.6cm 86.3cm</p>	 <p>IPBW1401 27-1/2" 69.85cm</p> <p>Total Height with dowel 7-3/4" 36" 19.6cm 91.4cm</p>	 <p>IPBW1402 27-1/2" 69.85cm</p> <p>Total Height with dowel 9-3/4" 38" 24.7cm 95.5cm</p>	 <p>IPBW1403 27-1/2" 69.85cm</p> <p>Total Height with dowel 11-3/4" 40" 29.8cm 101.6cm</p>	 <p>IPBW1404 27-1/2" 69.85cm</p> <p>Total Height with dowel 13-3/4" 42" 24.7cm 106.6cm</p>	 <p>IPBW1405 27-1/2" 69.85cm</p> <p>Total Height with dowel 15-3/4" 44" 40cm 111.7cm</p>
---	--	--	--	--	--

SQUARE TOP: 1-3/4" x 1-3/4" with 3/4" dowel (4.45cm x 4.45cm with 1.9cm dowel)

 <p>IPBW1410 6-1/4" 15.8cm</p> <p>Height with dowel 34" 86.3cm</p> <p>Turned 18" 45.7cm</p> <p>7" 17.7cm</p>	 <p>IPBW1411 8-1/4" 20.9cm</p> <p>Height with dowel 38" 96.5cm</p> <p>Turned 18" 45.7cm</p> <p>7" 17.7cm</p>	 <p>IPBW1412 6-1/2" 16.5cm</p> <p>Height with dowel 38" 96.5cm</p> <p>Turned 21-3/4" 55.2cm</p> <p>7" 17.7cm</p>	 <p>IPBW1413 8-1/2" 21.5cm</p> <p>Height with dowel 40" 101.6cm</p> <p>Turned 21-3/4" 55.2cm</p> <p>7" 17.7cm</p>	 <p>IPBW1414 12-1/2" 31.7cm</p> <p>Height with dowel 42" 106cm</p> <p>Turned 21-3/4" 55.2cm</p> <p>7" 17.7cm</p>	 <p>IPBW1415 14-1/2" 36.8cm</p> <p>Height with dowel 44" 111cm</p> <p>Turned 21-3/4" 55.2cm</p> <p>7" 17.7cm</p>
---	---	---	--	---	---

FULL & HALF NEWEL POSTS

 <p>4"10cm Height 48" (121.9cm)</p> <p>8-1/4" Square Base 20.96cm 3-1/2" x 3-1/2" 8.89 x 8.89cm</p> <p>21-3/4" Full Newel 55.25cm IPBW1420</p> <p>14" Half Newel 35.5cm IPBW1421</p>	 <p>4"10cm Height 55" (139.7cm)</p> <p>8-1/4" Square Base 20.96cm 3-1/2" (8.89cm)</p> <p>21-3/4" Full Newel 55.25cm IPBW1422</p> <p>14" Half Newel 35.5cm IPBW1423</p>	<p>Volute IPBW1424 high 42" (106.68cm) 2-3/4" x 2-3/4" (6.99cm)</p>  <p>7-1/4" 18.4cm</p> <p>21-3/4" 55.25cm</p> <p>13" 33cm</p>
---	---	--



* All prices & specs subject to change without notice, Final Product may vary from this brochure
Refer to local building codes for height requirements and spacing



www.imperialproductions.com 800-399-7585 416-264-6097 Fax 416-264-6098

Imperial Productions & Distribution Inc
email sales@imperialproductions.com

Toronto







copyright 2016 MRDCI All Rights Reserved

Railings Page 12
Vol 7: Spring 2017







STANDARD: Smooth Tapered

Hard Maple, Red Oak, Birch, Cherry, Walnut








DOWEL TOP: 1-5/16" x 1-5/16" with 3/4" dowel (3.3cm x 3.3cm with 1.9cm dowels)

 <p>IPBW1500 27-1/2" 69.85cm</p> <p>Height with dowel 34" (86.3cm)</p> <p>5-3/4" 14.6cm</p>	 <p>IPBW1501 27-1/2" 69.85cm</p> <p>Height with dowel 36" 91.4cm</p> <p>7-3/4" 19.6cm</p>	 <p>IPBW1502 27-1/2" 69.85cm</p> <p>Height with dowel 38" 96.5cm</p> <p>9-3/4" 24.7cm</p>	 <p>IPBW1503 27-1/2" 69.85cm</p> <p>Height with dowel 40" 101.6cm</p> <p>11-3/4" 29.8cm</p>	 <p>IPBW1504 27-1/2" 69.85cm</p> <p>Height with dowel 42" 106.6cm</p> <p>13-3/4" 34.9cm</p>	 <p>IPBW1505 27-1/2" 69.85cm</p> <p>Height with dowel 44" 111.7cm</p> <p>15-3/4" 40cm</p>
---	---	---	---	---	---

DOWEL TOP: 1-3/4" x 1-3/4" with 3/4" dowel (4.4cm x 4.4cm with 1.9cm dowels)

 <p>IPBW1510 27-1/2" 69.85cm</p> <p>Height with dowel 34" (86.3cm)</p> <p>5-3/4" 14.6cm</p>	 <p>IPBW1511 27-1/2" 69.85cm</p> <p>Height with dowel 36" 91.4cm</p> <p>7-3/4" 19.6cm</p>	 <p>IPBW1512 27-1/2" 69.85cm</p> <p>Height with dowel 38" 96.5cm</p> <p>9-3/4" 24.7cm</p>	 <p>IPBW1513 27-1/2" 69.85cm</p> <p>Height with dowel 40" 101.6cm</p> <p>11-3/4" 29.8cm</p>	 <p>IPBW1514 27-1/2" 69.85cm</p> <p>Height with dowel 42" 106.6cm</p> <p>13-3/4" 34.9cm</p>	 <p>IPBW1515 27-1/2" 69.85cm</p> <p>Height with dowel 44" 111.7cm</p> <p>15-3/4" 40cm</p>
--	--	--	--	--	--

SQUARE TOP: 1-5/16" x 1-5/16" with 3/4" dowel (3.3cm x 3.3cm with 1.9cm dowels)

 <p>IPBW1520 6-1/4" 15.8cm</p> <p>18" 45.7cm</p> <p>Height with dowel 34" 86.3cm</p> <p>7" 17.7cm</p>	 <p>IPBW1521 8-1/4" 20.9cm</p> <p>18" 45.7cm</p> <p>Height with dowel 36" 91.4cm</p> <p>7" 17.7cm</p>	 <p>IPBW1522 6-1/2" 16.5cm</p> <p>21-3/4" 55.2cm</p> <p>Height with dowel 38" 96.5cm</p> <p>7" 17.7cm</p>	 <p>IPBW1523 8-1/2" 21.5cm</p> <p>21-3/4" 55.2cm</p> <p>Height with dowel 38" 96.5cm</p> <p>7" 17.7cm</p>	 <p>IPBW1524 10-1/2" 26.6cm</p> <p>21-3/4" 55.2cm</p> <p>Height with dowel 40" 101.6cm</p> <p>7" 17.7cm</p>	 <p>IPBW1525 12-1/2" 36.8cm</p> <p>21-3/4" 55.2cm</p> <p>Height with dowel 42" 106.6cm</p> <p>7" 17.7cm</p>	 <p>IPBW1526 14-1/2" 36.8cm</p> <p>21-3/4" 55.2cm</p> <p>Height with dowel 44" 111.7cm</p> <p>7" 17.7cm</p>
---	---	---	---	--	---	---

* All prices & specs subject to change without notice, Final Product may vary from this brochure
Refer to local building codes for height requirements and spacing



www.imperialproductions.com

Imperial Productions & Distribution Inc
email sales@imperialproductions.com

Toronto

copyright 2016 MRDCI All Rights Reserved

800-399-7585

416-264-6097








Fax 416-264-6098

Railings Page 13

Vol 7: Spring 2017

STANDARD: Smooth NonTapered Hard Maple, Red Oak, Birch, Cherry, Walnut


SQUARE TOP: 1-3/4" x 1-3/4" with 3/4" dowel (4.4cm x 4.4cm with 1.9cm dowels)

IPBW1529  6-1/4" 15.8cm 18" 45.7cm Height with dowel 30" 76.2cm 5" 12.7cm	IPBW1530  8-1/4" 20.9cm 18" 45.7cm Height with dowel 34" 86.3cm 7" 17.7cm	IPBW1531  6-1/2" 16.5cm 21-3/4" 55.2cm Height with dowel 38" 96.5cm 7" 17.7cm	IPBW1532  8-1/2" 21.5cm 21-3/4" 55.2cm Height with dowel 38" 96.5cm 7" 17.7cm	IPBW1533  10-1/2" 26.6cm 21-3/4" 55.2cm Height with dowel 40" 101.6cm 7" 17.7cm	IPBW1534  12-1/2" 36.8cm 21-3/4" 55.2cm Height with dowel 42" 106.6cm 7" 17.7cm	IPBW1535  14-1/2" 36.8cm 21-3/4" 55.2cm Height with dowel 44" 111.7cm 7" 17.7cm
---	---	---	---	--	---	---

FULL & HALF NEWEL POSTS


4" (10cm) Height
 8-1/4" 48"(121.9cm)
 20.9cm Post Square
 2-3/4" x 2-3/4"
 6.9cm x 6.9cm
 21-3/4" Full Newel
 55.2cm **IPBW1550**

 14" 1/2 Newel
 35.5cm **IPBW1551**



4" (10cm) Height
 8-1/4" 48"(121.9cm)
 20.9cm Post Square
 3" x 3"
 7.6cm x 7.6cm
 21-3/4" Full Newel
 55.2cm **IPBW1552**

 14" 1/2 Newel
 35.5cm **IPBW1553**



4" (10cm) Height
 8-1/4" 55"(139.7cm)
 20.9cm Post Square
 3" x 3"
 7.6cm x 7.6cm
 21-3/4" Full Newel
 55.2cm **IPBW1554**

 21" 1/2 Newel
 53.3cm **IPBW1555**




4-7/8" Height
 12.3cm 48"(121.9cm)
 8-1/4" 20.9cm Post Square
 3-1/2" x 3-1/2"
 8.8cm x 8.8cm
 21-3/4" Full Newel
 55.2cm **IPBW1570**

 13-1/8" 1/2 Newel
 33.3cm **IPBW1571**




4" (10cm) Height
 8-1/4" 48"(121.9cm)
 20.9cm Post Square
 2-7/8" x 2-7/8"
 7.3cm x 7.3cm
 21-3/4" Full Newel
 55.2cm **IPBW1556**

 14" 1/2 Newel
 35.5cm **IPBW1557**




4" (10cm) Height
 8-1/4" 55"(139.7cm)
 20.9cm Post Square
 2-7/8" x 2-7/8"
 7.3cm x 7.3cm
 21-3/4" Full Newel
 55.2cm **IPBW1558**

 14" 1/2 Newel
 35.5cm **IPBW1559**




VOLUTE
IPBW1560
Height
 48"(121.9cm)
Post Square
 2-3/4" x 2-3/4"
 6.9cm x 6.9cm



4-7/8" Height
 12.3cm 55"(139.7cm)
 8-1/4" 20.9cm Post Square
 3-1/2" x 3-1/2"
 8.8cm x 8.8cm
 21-3/4" Full Newel
 55.2cm **IPBW1572**

 20-1/8" 1/2 Newel
 51.1cm **IPBW1573**




* All prices & specs subject to change without notice, Final Product may vary from this brochure
 Refer to local building codes for height requirements and spacing



STANDARD: Modern Hard Maple, Red Oak, Birch, Cherry, Walnut

SQUARE BALUSTERS: 1-3/4" x 1-3/4" no dowel (3.33 x 3.33cm)

- IPBW1600 34" (86.36cm)
- IPBW1601 36" (91.4cm)
- IPBW1602 38" (96.5cm)
- IPBW1603 40" (101.6cm)
- IPBW1604 42" (106.6cm)
- IPBW1605 44" (111.7cm)



SQUARE BALUSTERS:

1-5/16" x 1-5/16" no dowel (3.33 x 3.33cm)

- IPBW1610 34" (86.36cm)
- IPBW1611 36" (91.4cm)
- IPBW1612 38" (96.5cm)
- IPBW1613 40" (101.6cm)
- IPBW1614 42" (106.6cm)
- IPBW1615 44" (111.7cm)

NEWEL POSTS / RAILINGS:

- IPBW1620 2-3/4" x 48" (6.9cm x 121.9cm)
- IPBW1621 2-7/8" x 42" (7.3cm x 106.6cm)
- IPBW1622 2-7/8" x 48" (7.3cm x 121.9cm)
- IPBW1623 3-1/2" x 48" (8.8cm x 121.9cm)
- IPBW1624 3-1/2" x 55" (8.8cm x 139.7cm)

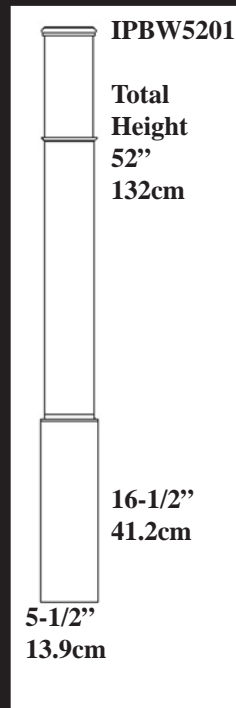
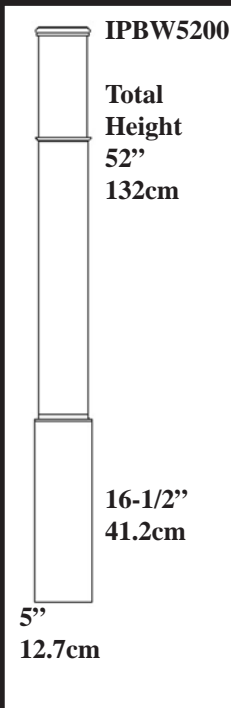
Railing: IPBW1650

- 5-1/4" x 1-3/4" (13.3x4.4)
- Bottom Rail IPBW1651**
3" x 1-5/16" (7.6x3cm)
- Bottom Rail IPBW1652**
3-1/2" x 3/4" (8.8x1.9cm)
- Bottom Rail IPBW1653**
5-1/2" x 3/4" (13.9x1.9cm)



NEWEL POSTS

Hard Maple, Red Oak, Birch,
Cherry, Walnut

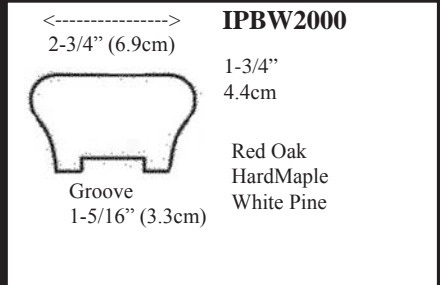


IPBW5202
Bottom
5"
12.7cm

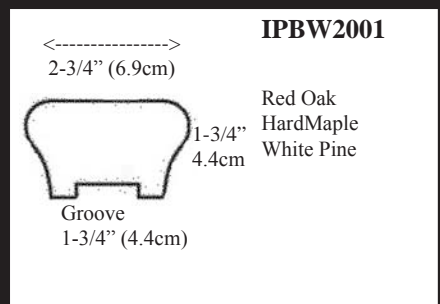
IPBW5203
Bottom
5-1/2"
13.9cm

Total
Height
52"
132cm

Hand Rails



IPBW2000
1-3/4"
4.4cm
Red Oak
HardMaple
White Pine



IPBW2001
1-3/4"
4.4cm
Red Oak
HardMaple
White Pine


* All prices & specifications subject to change without notice, Final Product may vary from this brochure
Refer to local building codes for heights and spacing



IPBW2002 Railing Suite

IPBW2002 RAILING

2-3/4" (6.9cm)




1-3/4" 4.4cm
Red Oak
Hard Maple
White Pine


No Groove Flat
2-3/4" (6.9cm)



8-27/32" 90 DEGREE TURN
IPBW2002-1
Red Oak
Hard Maple
White Pine




EASEMENT
IPBW2002-10
Red Oak
Hard Maple
White Pine




12-1/4" (31cm)

EASEMENT
IPBW2002-2
Red Oak
Hard Maple
White Pine




5-1/2" 13.9cm
18" (45.7cm)

IPBW2002-5L
Red Oak
Hard Maple
White Pine




7-1/4" 18.4cm
10" (25.4cm)

IPBW2002-5R
Red Oak
Hard Maple
White Pine




7-1/4" 18.4cm
10" (25.4cm)

3" RIGHT JOG
IPBW2002-3R
Red Oak
Hard Maple
White Pine




22" (55.8cm)
7-7/8" 20cm

IPBW2002-6R
Red Oak
Hard Maple
White Pine




8" (20.3cm)
8" 20.3cm

3" LEFT JOG
IPBW2002-3L
Red Oak
Hard Maple
White Pine




22" (55.8cm)
7-7/8" 20cm

IPBW2002-4L
Red Oak
Hard Maple
White Pine




11-3/4" 29.8cm
12-1/4" (31cm)

IPBW2002-6L
Red Oak
Hard Maple
White Pine




8" (20.3cm)
8" 20.3cm

IPBW2002-4R
Red Oak
Hard Maple
White Pine




11-3/4" 29.8cm
12-1/4" (31cm)

IPBW2002-8
Red Oak
Hard Maple
White Pine




8" (20.3cm)
4-1/4" 10.7cm
2-3/4" 6.9cm

IPBW2002-7
Red Oak
Hard Maple
White Pine



4-1/4" 10.7cm
10" (25.4cm)

IPBW2002-9
Red Oak
Hard Maple
White Pine




2-3/4" 6.9cm
7-7/8" (20cm)

Hand Rails

IPBW2005

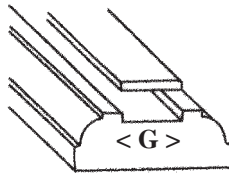
2-1/2" (6.3cm)



1-5/16" 3.3cm
1-3/4" (4.4cm)
No Groove

Red Oak
Hard Maple
White Pine

IPBW2010



G = 1-5/16" (4.93cm)
H = 3/4" (1.9cm)
W = 2-5/8" (6.6cm)

Red Oak
Hard Maple
White Pine

IPBW2011

G = 1-5/16" (4.93cm)
H = 1-1/4" (3.1cm)
W = 3-1/2" (8.8cm)

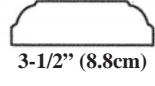
Red Oak
Hard Maple
White Pine

IPBW2012

G = 1-3/4" (4.4cm)
H = 1-1/4" (3.1cm)
W = 3-1/2" (8.8cm)

Red Oak
Hard Maple
White Pine


IPBW2013



2-1/4" (5.7cm)
1-1/4" 3.1cm
3-1/2" (8.8cm)

Red Oak
Hard Maple
White Pine

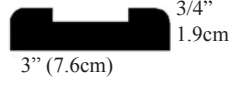
IPBW2014



1-5/16" x 5/16" .8cm x 3.3cm
2-3/4" (6.9cm)
3/4" 1.9cm

Red Oak
Hard Maple
White Pine

IPBW2015

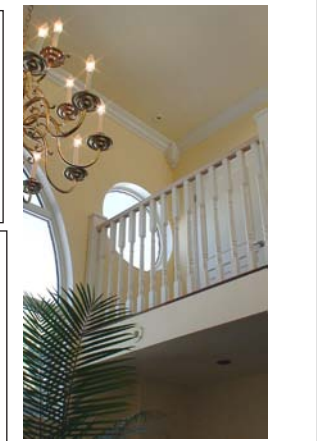


1-5/16" x 5/16" .8cm x 3.3cm
3" (7.6cm)
3/4" 1.9cm

Red Oak
Hard Maple
White Pine

IPBW2020
Bottom Filler
11/32" x 1-5/16"
.87cm x 3.3cm

Red Oak
Hard Maple
White Pine



IPBW2021
Bottom Filler
11/32" x 1-3/4"
.87cm x 4.4cm

Red Oak
Hard Maple
White Pine

* All prices & specifications subject to change without notice, Final Product may vary from this brochure
Refer to local building codes for heights and spacing



www.imperialproductions.com

Imperial Productions & Distribution Inc
email sales@imperialproductions.com

800-399-7585

416-264-6097

Toronto

copyright 2016 MRDCI All Rights Reserved

Fax 416-264-6098

Railings Page 16

Vol 7: Spring 2017

IPBW2008 Railing Suite

<----->
2-1/2" (6.3cm)

1-3/4"
4.4cm



IPBW2008
RAILING
Red Oak
Hard Maple
White Pine



3" LEFT JOG
IPBW2008-3L
Red Oak
Hard Maple
White Pine




3" RIGHT JOG
IPBW2008-3R
Red Oak
Hard Maple
White Pine



IPBW2008-8
Red Oak
Hard Maple
White Pine

4" LEFT JOG
IPBW2008-4L
Red Oak
Hard Maple
White Pine

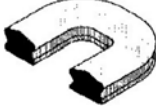
4" RIGHT JOG
IPBW2008-4R
Red Oak
Hard Maple
White Pine




45 DEGREE TURN
IPBW2008-1A
Radius 2-1/2" (6.3cm)
Red Oak
Hard Maple
White Pine

5" LEFT JOG
IPBW2008-5L
Red Oak
Hard Maple
White Pine

5" RIGHT JOG
IPBW2008-5R
Red Oak
Hard Maple
White Pine



IPBW2008-12
Center 4" (10cm)
Red Oak
Hard Maple
White Pine




45 Degree Easement
IPBW2008-14
Red Oak
Hard Maple
White Pine

45 DEGREE TURN
IPBW2008-1B
Radius 4" (10.1cm)
Red Oak
Hard Maple
White Pine

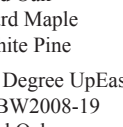
IPBW2008-13
Center 5" (12.7cm)
Red Oak
Hard Maple
White Pine

IPBW2008-16
Center 6" (15.2cm)
Red Oak
Hard Maple
White Pine

90 Degree Easement
IPBW2008-15
Red Oak
Hard Maple
White Pine



45 Degree UpEasement
IPBW2008-18
Red Oak
Hard Maple
White Pine




90 Degree UpEasement
IPBW2008-19
Red Oak
Hard Maple
White Pine

IPBW2009 Railing Suite

<----->
3" (7.6cm)

1-3/4"
4.4cm



IPBW2009
RAILING
Red Oak
Hard Maple
White Pine



3" LEFT JOG
IPBW2009-3L
Red Oak
Hard Maple
White Pine



3" RIGHT JOG
IPBW2009-3R
Red Oak
Hard Maple
White Pine




IPBW2009-8
Red Oak
Hard Maple
White Pine

4" LEFT JOG
IPBW2009-4L
Red Oak
Hard Maple
White Pine

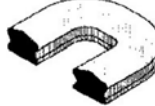
4" RIGHT JOG
IPBW2009-4R
Red Oak
Hard Maple
White Pine

5" LEFT JOG
IPBW2009-5L
Red Oak
Hard Maple
White Pine


5" RIGHT JOG
IPBW2009-5R
Red Oak
Hard Maple
White Pine



45 DEGREE TURN
IPBW2009-1A
Radius 2-1/2" (6.3cm)
Red Oak
Hard Maple
White Pine



IPBW2009-13
Center 5" (12.7cm)
Red Oak
Hard Maple
White Pine




45 Degree Easement
IPBW2009-14
Red Oak
Hard Maple
White Pine

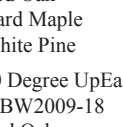
45 DEGREE TURN
IPBW2009-1B
Radius 4" (10.1cm)
Red Oak
Hard Maple
White Pine

IPBW2009-16
Center 6" (15.2cm)
Red Oak
Hard Maple
White Pine

90 Degree Easement
IPBW2009-15
Red Oak
Hard Maple
White Pine




45 Degree UpEasement
IPBW2009-18
Red Oak
Hard Maple
White Pine



90 Degree UpEasement
IPBW2009-19
Red Oak
Hard Maple
White Pine

<----->
2-1/2" (6.3cm)


1-5/16"
3.3cm



IPBW2007
Red Oak
Hard Maple
White Pine

<----->
2-5/8" (6.6cm)

1-5/16"
3.3cm



IPBW2006
Red Oak
Hard Maple
White Pine

Groove 9/32" x 2-5/8"
.71cm x 6.6cm

* All prices & specifications subject to change without notice, Final Product may vary from this brochure
Refer to local building codes for heights and spacing

IPBW2004 Railing Suite

Component & Assembly Chart

2-1/4" 3" (7.6cm) 5.7cm

IPBW2004 RAILING
 Red Oak
 Hard Maple
 White Pine

3" LEFT JOG
 IPBW2004-3L
 Red Oak
 Hard Maple
 White Pine

3" RIGHT JOG
 IPBW2004-3R
 Red Oak
 Hard Maple
 White Pine

IPBW2004-8
 Red Oak
 Hard Maple
 White Pine

4" LEFT JOG
 IPBW2004-4L
 Red Oak
 Hard Maple
 White Pine

4" RIGHT JOG
 IPBW2004-4R
 Red Oak
 Hard Maple
 White Pine

45 DEGREE TURN
 IPBW2004-1A
 Radius 2-1/2" (6.3cm)
 Red Oak
 Hard Maple
 White Pine

5" LEFT JOG
 IPBW2004-5L
 Red Oak
 Hard Maple
 White Pine

5" RIGHT JOG
 IPBW2004-5R
 Red Oak
 Hard Maple
 White Pine

IPBW2004-13
 Center 5" (12.7cm)
 Red Oak
 Hard Maple
 White Pine

45 Degree Easement
 IPBW2004-14
 Red Oak
 Hard Maple
 White Pine

45 DEGREE TURN
 IPBW2004-1B
 Radius 4" (10.1cm)
 Red Oak
 Hard Maple
 White Pine

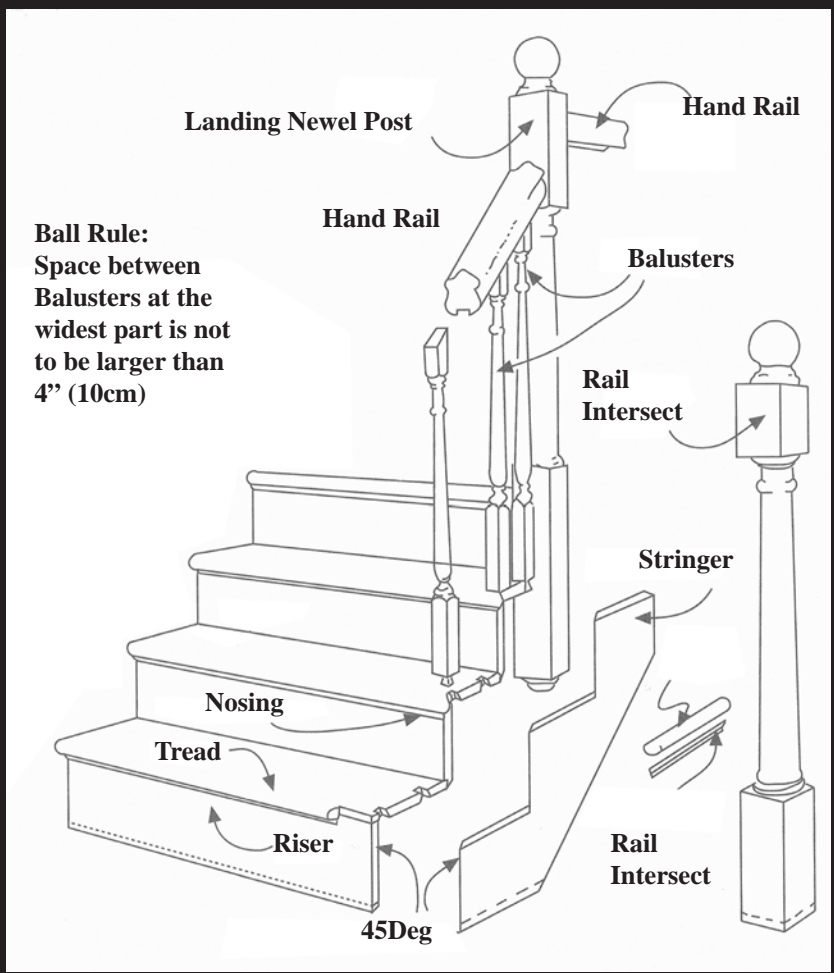
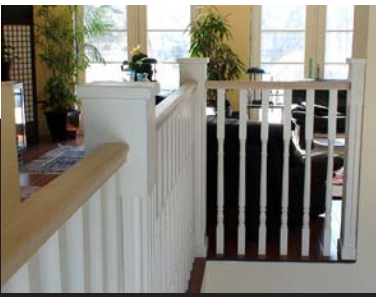
IPBW2004-16
 Center 6" (15.2cm)
 Red Oak
 Hard Maple
 White Pine

90 Degree Easement
 IPBW2004-15
 Red Oak
 Hard Maple
 White Pine

Up Easement

45 Degree Up
 IPBW2004-18
 Red Oak
 Hard Maple
 White Pine

90 Degree Up
 IPBW2004-18
 Red Oak
 Hard Maple
 White Pine



Design Tip: Instead of replacing all your balusters supply us with the best broken one and it can be duplicated in either Hardwood or ArchPolymer™.

Custom Duplicates

For homes of the National Trust identical duplicates can be created in wood to precision.

* All prices & specifications subject to change without notice, Final Product may vary from this brochure
 Refer to local building codes for heights & spacing

