



Furniture Legs Standard Models & Custom Sizes



Martin Richards Design™
COLLECTION

*Standard Designs
Custom
& Historic
Duplications*

Hand Carved &
Turned

Maple
Red Oak
Alder
Cherry
Walnut
White Oak



Imperial Productions®

1-800-399-7585

Imperial Productions & Distribution Inc Toronto / New York

email sales@imperialproductions.com copyright 2016 MRDCI All Rights Reserved



Furniture Legs Standard Models & Custom Sizes



Martin Richards Design™
COLLECTION

*Standard Designs
Custom
& Historic
Duplications*

Hand Carved &
Turned

Maple
Red Oak
Alder
Cherry
Walnut
White Oak



Imperial Productions®

1-800-399-7585

Imperial Productions & Distribution Inc Toronto / New York

email sales@imperialproductions.com copyright 2016 MRDCI All Rights Reserved

HARVEST SMOOTH

IPLH15

[PDF Brochure](#)

Height 15" 38cm

	List	Each
Pine	23.96	16.77
Maple	30.78	21.54
Red Oak	33.04	23.11
Cherry		call
Walnut, White Oak		call
Mahogany		call



Top Square 2-5/8" x 2-5/8"

Top Section Height 4"

Lower 11" (27.9cm)

Bottom 1-3/8" (3.4cm)

IPLH275

[PDF Brochure](#)

Height 27" 68.5cm

	List	Each
Maple	32.24	22.55



Top Square 2-5/16" x 2-5/16"

Top Section Height 5-1/8"

Lower 21-7/8" (55.5cm)

Bottom 1-3/8"

IPLH20

[PDF Brochure](#)

Height 20" 50cm

	List	Each
Pine	24.55	17.19
Maple	32.19	22.53
Red Oak	35.48	24.83



Top Square 2-1/4" x 2-1/4"

Top Section Height 4-1/2"

Lower 15-1/2" (39.3cm)

Bottom 1-9/16"

IPLH29

[PDF Brochure](#)

Height 29" 38cm

	List	Each
Hard Maple	46.47	32.53



Top Square 2-3/4" x 2-3/4"

Section Height 7"

Lower 22" (55.8cm)

Bottom 1-3/8"

IPLH27

[PDF Brochure](#)

Height 27" 68.5cm

	List	Each
Pine	27.84	19.49
Maple	40.06	28.04
Red Oak	48.52	33.96



Top Square 2-1/4" x 2-1/4"

Top Section Height 5-1/8"

Lower 21-7/8" (55.5cm)

Bottom 1-3/8"

IPLH295

[PDF Brochure](#)

Height 29" 38cm

	List	Each
Hard Maple	46.47	32.53



Top Square 2-3/4" x 2-3/4"

Section Height 7-1/4"

Lower 21-3/4" (55.2cm)

Bottom 1-3/8"

HARVEST SMOOTH

IPLH29L

[PDF Brochure](#)

Height 29" 73.6cm

	List	Each
Maple	81.04	56.73
Red Oak	85.27	59.69
Pine	52.13	36.49
Cherry		call
Walnut, White Oak		call
Mahogany		call



Top Square 3-1/2" x 3-1/2"

Top Section Height 7-1/4"

Lower 21-3/4" (55.2cm)

Bottom 2-1/4" (5.7cm)

GEORGIAN REEDED

IPLG15

[PDF Brochure](#)

Height 15" 38cm

	List	Each
Maple	43.94	30.76
Red Oak	46.52	32.57
Pine	37.01	25.90
Cherry		call
Walnut, White Oak		call
Mahogany		call



Top Square 2-5/8" x 2-5/8"

Top Section Height 4" (10cm)

Lower 11" (27.9cm)

Bottom 1-3/8" (3.5cm)

IPLH36A

[PDF Brochure](#)

Height 36" 91.4cm

	List	Each
Maple	118.74	83.10
Red Oak	115.86	81.10
Pine	85.76	60.03
Cherry		call
Walnut, White Oak		call
Mahogany		call



Top Square 3-1/2" x 3-1/2"

Top Section Height 8-15/16"

Lower 26-1/16" (66.2cm)

Bottom Call

IPLG20

[PDF Brochure](#)

Height 20" 50.8cm

	List	Each
Maple	45.82	32.07
Red Oak	48.87	34.21
Pine	37.83	26.48
Cherry		call
Walnut, White Oak		call
Mahogany		call



Top Square 2-1/4" x 2-1/4"

Top Section 4-1/2" (11.4cm)

Lower 15-1/2" (39.3cm)

Bottom 1-3/8"

IPLH36B

[PDF Brochure](#)

Height 36" 91.4cm

	List	Each
Maple	135.82	95.07
Red Oak	131.46	91.81
Pine	91.02	63.72
Cherry		call
Walnut, White Oak		call
Mahogany		call



Top Square 4" x 4"

Top Section Height 8-15/16"

Lower 26-1/16" (66.2cm)

Bottom Call

IPLG27

[PDF Brochure](#)

Height 27" 68.6cm

	List	Each
Maple	53.81	37.67
Red Oak	61.92	43.34
Pine	41.12	28.78



Top Square 2-1/4" x 2-1/4"

Section Height 5-3/8"

Lower 21-5/8" (54.9cm)

Bottom 1-1/8" (2.8cm)

GEORGIAN REEDED

IPLG29

[PDF Brochure](#)

Height 29" 73.6cm

	List	Each
Maple	58.79	41.15
Red Oak	69.48	48.64
Pine	46.92	32.85
Cherry		call
Walnut, White Oak		call
Mahogany		call



Top Square 2-3/4" x 2-3/4"

Top Section Height 7-1/4"

Lower 21-3/4" (55.2cm)

Bottom 1-3/8" (3.5cm)

IPLG36A

[PDF Brochure](#)

Height 36" 91.4cm

	List	Each
Maple	151.94	106.36
Red Oak	148.43	103.90
Pine	117.92	82.54
Cherry		call
Walnut, White Oak		call
Mahogany		call



Top Square 3-1/2" x 3-1/2"

Top Section Height 8-15/16"

Lower 26-1/16" (66.2cm)

Bottom Call

IPLG29L

[PDF Brochure](#)

Height 29" 73.6cm

	List	Each
Maple	71.99	50.39
Red Oak	99.84	69.89
Pine	66.47	46.53
Cherry		call
Walnut, White Oak		call
Mahogany		call



Top Square 3-1/2" x 3-1/2"

Top Section Height 7-1/4"

Lower 21-3/4" (55.2cm)

Bottom 2-1/8" (5.4cm)

IPLG36B

[PDF Brochure](#)

Height 36" 91.4cm

	List	Each
Maple	169.05	118.33
Red Oak	167.43	117.20
Pine	123.35	86.34
Cherry		call
Walnut, White Oak		call
Mahogany		call



Top Square 4" x 4"

Top Section 4-1/2" (11.4cm)

Lower 15-1/2" (39.3cm)

Bottom 1-3/8"

Martin Richards Design™
COLLECTION



Martin Richards Design™
COLLECTION



CARVINGS & ROSETTES
SEE CARVINGS SECTIONS

REGENCY FLUTED

IPLR15

[PDF Brochure](#)

Height 15" 38cm

	List	Each
Maple	43.94	30.76
Red Oak	46.52	32.57
Pine	37.04	25.90
Cherry		call
Walnut, White Oak		call
Mahogany		call



Top Square 2-5/8" x 2-5/8"

Top Section Height 4"

Lower 11" (27.9cm)

Bottom 1-3/8" (3.5cm)

IPLR29

[PDF Brochure](#)

Height 29" 73.6cm

	List	Each
Maple	58.79	41.15
Red Oak	69.48	48.64
Pine	46.92	32.85
Cherry		call
Walnut, White Oak		call
Mahogany		call



Top Square 2-3/4" x 2-3/4"

Top Section 7-1/4" (18.4cm)

Lower 21-3/4" (55.2cm)

Bottom 1-9/16" (3.9cm)

IPLR20

[PDF Brochure](#)

Height 20" 50cm

	List	Each
Maple	45.82	32.07
Red Oak	48.87	34.21
Pine	37.83	26.48
Cherry		call
Walnut, White Oak		call
Mahogany		call



Top Square 2-1/4" x 2-1/4"

Top Section Height 4-1/2"

Lower 15-1/2" (39.3cm)

Bottom 1-3/8" (3.5cm)

IPLR29L

[PDF Brochure](#)

Height 29" 73.6cm

	List	Each
Maple	71.99	50.39
Red Oak	99.84	69.89
Pine	66.47	46.53
Cherry		call
Walnut, White Oak		call
Mahogany		call



Top Square 3-1/2" x 3-1/2"

Top Section 7-1/4" (18.4cm)

Lower 21-3/4" (55.2cm)

Bottom 2-1/8" (5.4cm)

IPLR27

[PDF Brochure](#)

Height 27" 68.5cm

	List	Each
Pine	41.12	28.78
Maple	53.81	37.67
Red Oak	61.92	43.34
Cherry, Walnut		call
Mahogany, White Oak		call



Top Square 2-1/4" x 2-1/4"

Top Section Height 5-3/8"

Lower 21-5/8" (54.9cm)

Bottom 1-3/8" (3.5cm)

IPLR36A

[PDF Brochure](#)

	List	Each
Pine	107.14	75.00
Maple	140.75	98.53
Red Oak	137.58	96.30
Cherry, Walnut		call
Mahogany, White Oak		call



Height 36" (91.4cm)

Top Square 3-1/2" x 3-1/2"
Top Section Height 8-15/16"

Bottom Section 27-1/16"

IPL36B

[PDF Brochure](#)

	List	Each
Pine	112.57	78.80
Maple	157.94	110.56
Red Oak	152.88	107.01
Cherry, Walnut		call
Mahogany, White Oak		call

Height 36" (91.4cm)

Top Square 4" x 4" (10cm)
Top Section Height 8-15/16"

Bottom Section 27-1/16"

MODERN LEGS

IPLH1200



Top Square 2-5/8" x 2-5/8"

Height | 8" | 20.3cm

Top Section Height 4"

	List	Each
Maple	28.76	20.13

2 Sided Taper

Lower 4" (10cm)

IPLH1201



Top Square 4" x 4"

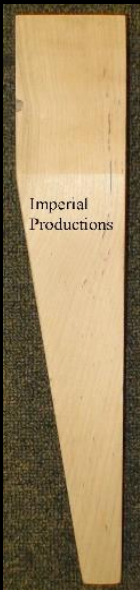
4 Sided Taper

Height | 8" | 20.3cm

Bottom call

	List	Each
Maple	28.76	20.13

IPLM15



Top Square 2-5/8" x 2-5/8"

PDF Brochure

Height | 15" | 38cm

Top Section Height 4"

	List	Each
Pine	call	
Maple	23.05	16.14
Red Oak	24.74	17.32
Cherry		call
Walnut, White Oak		call
Mahogany		call

Lower 11" (27.9cm)

2 Sided Taper

Bottom 1"

IPLM155



Top Square 2-5/8" x 2-5/8"

PDF Brochure

Height | 15" | 38cm

Top Section Height 4"

	List	Each
Maple	31.60	22.12
Red Oak	call	
Pine	call	
Cherry		
Walnut, White Oak		
Mahogany		

Lower 11" (27.9cm)

4 Sided Taper

Bottom 1" (2.54cm)

IPLM205



Top Square 2-1/4" x 2-1/4"

PDF Brochure

Top Section Height 4"

Height | 20" | 50.8cm

	List	Each
Pine	call	
Red Oak	call	
Maple	call	
Cherry		
Walnut, White Oak		
Mahogany		

Lower 11" (27.9cm)

4 Sided Taper

Bottom 1" (2.54cm)

IPLM20



Top Square 2-1/4" x 2-1/4"

PDF Brochure

Section Height 4"

Height | 20" | 50cm

	List	Each
Pine	call	
Maple	26.54	18.55
Red Oak	26.55	18.59
Cherry		call
Walnut, White Oak		call
Mahogany		call

Lower 16" (40.6cm)

2 Sided Taper

Bottom 1" (2.5cm)

IPLM27



Top Square 2-1/4" x 2-1/4"

PDF Brochure

Section Height 4"

Height | 27" | 50cm

	List	Each
Pine	call	
Maple	32.02	22.41
Red Oak	35.35	24.75
Cherry		call
Walnut, White Oak		call
Mahogany		call

Lower 16" (40.6cm)

2 Sided Taper

Bottom 1" (2.5cm)

MODERN LEGS

IPLM275

PDF Brochure

Height 27" 68.5cm

	List	Each
Maple	49.82	34.88
Red Oak	call	
Pine	call	
Cherry		
Walnut, White Oak		
Mahogany		

4 Sided Taper



Top Square 2-1/4" x 2-1/4"

Top Section Height 4"

Lower 23" (58.4cm)

Bottom 1" (2.54cm)

IPLM295

PDF Brochure

Height 29" 73.6cm

	List	Each
Maple	58.93	41.25
Red Oak	call	
Pine	call	
Cherry		
Walnut, White Oak		
Mahogany		

4 Sided Taper



Top Square 2-5/8" x 2-5/8"

Top Section Height 4"

Lower 11" (27.9cm)

Bottom 1" (2.54cm)

IPLM29

PDF Brochure

Height 29" 73.6cm

	List	Each
Pine	call	
Maple	37.45	26.21
Red Oak	42.92	30.04
Cherry		call
Walnut, White Oak		call
Mahogany		call

2 Sided Taper



Top Square 2-3/4" x 2-3/4"

Section Height 4"

Lower 25" (63.5cm)

Bottom 1" (2.5cm)

IPLM29NT

Height 29" 73.6cm

	List	Each
Pine	call	
Maple	64.16	44.92
Red Oak	call	call
Cherry		call
Walnut, White Oak		call
Mahogany		call



Top Square 2-3/4" x 2-3/4"

Section Height 4"

Lower 16" (40.6cm)

Bottom 1" (2.5cm)

TAPERED



NON TAPERED



ATLANTIS COLLECTION

IPMRD3012

Top Square 4" x 4"

[PDF Brochure](#)

Height 15" 38.1cm

	List	Each
Pine	call	
Maple	74.04	51.82
Red Oak		call
Cherry		call
Walnut, White Oak		call
Mahogany		call



Section Height 4"

Lower 11"

Bottom Call

IPMRD3010

Top Square 4" x 4"

[PDF Brochure](#)

Height 29" 73.6cm

	List	Each
Pine	call	
Maple	117.26	82.08
Red Oak		call
Cherry		call
Walnut, White Oak		call
Mahogany		call



Section Height 4"

Lower Section 25"

Bottom Call

IPMRD3014

Top Square 4" x 4"

[PDF Brochure](#)

Height 20" 50.8cm

	List	Each
Pine	call	
Maple	89.66	62.76
Red Oak		call
Cherry		call
Walnut, White Oak		call
Mahogany		call



Section Height 4"

Lower 16"

Bottom Call

IPLC3300

Top Square 3-3/4" x 3-3/4"

[PDF Brochure](#)

Height 36" 91.4cm

	List	Each
Pine	call	
Maple	143.99	100.79
Red Oak		call
Cherry		call
Walnut, White Oak		call
Mahogany		call



Section Height 5-3/4"

Lower 31-1/4"

Bottom Call

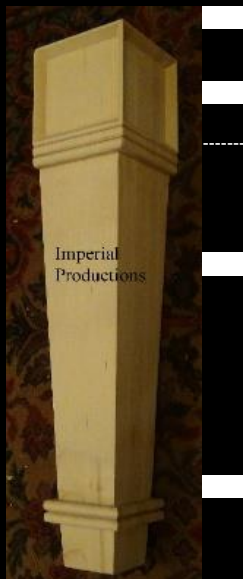
IPMRD3015

Top Square 4" x 4"

[PDF Brochure](#)

Height 27" 68.6cm

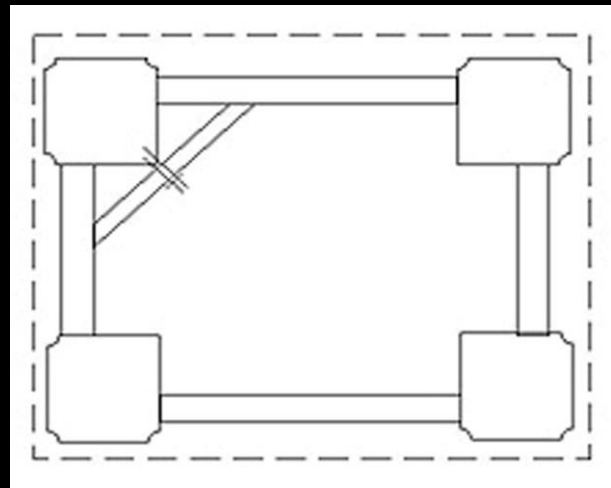
	List	Each
Pine	call	
Maple	107.04	74.93
Red Oak		call
Cherry		call
Walnut, White Oak		call
Mahogany		call



Section Height 4"

Lower 23"

Bottom Call



QUEEN ANNE

IPLQ6

Height 6" 15.2cm

	List	Each
Maple	29.84	20.89
Red Oak	call	
Cherry	31.84	22.29

Top Square 2-1/2" x 2-1/2"
 Top Section Height 2"
 Lower 4" (10cm)



IPLQ27

PDF Brochure

Height 27" 68.6cm

	List	Each
Maple	38.30	26.81
Red Oak	50.17	35.12
Cherry	call	call
Walnut, White Oak	call	call
Mahogany		call



Top Sq 2" x 2"

Section Height 4-1/2"

Lower 22-1/2"

Bottom 1-9/16"

IPLQ15

PDF Brochure

Height 15" 38.1cm

	List	Each
Maple	33.25	23.27
Red Oak	39.47	27.63
Cherry	call	call
Walnut, White Oak	call	call
Mahogany		call



Top Square 2" x 2"

Top Section Height 4"

Lower 11" (27.9cm)

Bottom 1" (2.5cm)

IPLQ29

PDF Brochure

Height 29" 73.6cm

	List	Each
Maple	53.93	37.75
Red Oak	68.85	48.19
Cherry	call	call
Walnut, White Oak	call	call
Mahogany		call
Top Section Height 2"		
Lower 4" (10cm)		



Top Sq 2" x 2"

Section Height 4-1/2"

Lower 24-1/2"

Bottom 1-9/16"

IPLQ20

PDF Brochure

Height 20" 50.8cm

	List	Each
Maple	38.30	26.81
Red Oak	50.17	35.12
Cherry	call	call
Walnut, White Oak	call	call
Mahogany		call



Top Sq 2-1/4"x2-1/4"

Section Height 4-1/2"

Lower 15-1/2"

Bottom 1-9/16"





FRENCH COUNTRY

IPLF15

[PDF Brochure](#)

Height 15" 38.1cm

	List	Each
Maple	44.76	31.33
Red Oak	50.64	35.45
Cherry	call	call
Walnut, White Oak	call	call
Mahogany	call	call



Top Sq 2-3/4" x 2-3/4"

Section Height 4"

Lower 11"

Bottom 1-9/16"

IPLQ29

[PDF Brochure](#)

Height 29" 73.6cm

	List	Each
Maple	53.93	37.75
Red Oak	68.85	48.19
Cherry	call	call
Walnut, White Oak	call	call
Mahogany	call	call



Top Sq 2-3/4"x2-3/4"

Section Height 4-1/2"

Lower 24-1/2"

Bottom 1-9/16"

IPLF20

[PDF Brochure](#)

Height 20" 50cm

	List	Each
Maple	49.58	34.70
Red Oak	61.56	43.09
Cherry	call	call
Walnut, White Oak	call	call
Mahogany	call	call



Top Sq 2-3/4" x 2-3/4"

Section Height 4"

Lower 16"

Bottom 1-9/16"

IPLF34EXT

[PDF Brochure](#)

Height 29" 73.6cm

	List	Each
Maple	96.42	67.49
Red Oak	call	call
Cherry	call	call
Walnut, White Oak	call	call
Mahogany	call	call



Top Sq 2-3/4"x2-3/4"

Section Height 9" (22.8cm)

Lower 25" (63.5cm)

Bottom 1-9/16"

IPLQ27

[PDF Brochure](#)

Height 27" 68.5cm

	List	Each
Maple	38.30	26.81
Red Oak	50.17	35.12
Cherry	call	call
Walnut, White Oak	call	call
Mahogany	call	call



Top Square 2" x 2"

Top Section Height 4-1/2"

Lower 22-1/2" (57cm)

Bottom 1" (2.5cm)



Martin Richards Design™
COLLECTION

CARVED TABLE LEGS

IPMRD3034

[PDF Brochure](#)

Height 30" 76.2cm

	List	Each
Maple	114.30	80.01
Red Oak	175.44	122.81
Alder	175.44	122.81
Cherry	216.42	151.49
Walnut	250.92	175.65



Top 3" x 3"
Height 4"

Lower 26"

IPMRD3038

[PDF Brochure](#)

Height 30" 76.2cm

	List	Each
Maple	135.87	95.1
Red Oak	197.04	137.9
Alder	197.04	137.9
Cherry	246.18	172.3
Walnut	287.59	201.3



Top 3" x 3"
Height 4"

Lower 26"

IPMRD3032

[PDF Brochure](#)

Height 30" 76.2cm
Top 7-3/16" 18.3cm

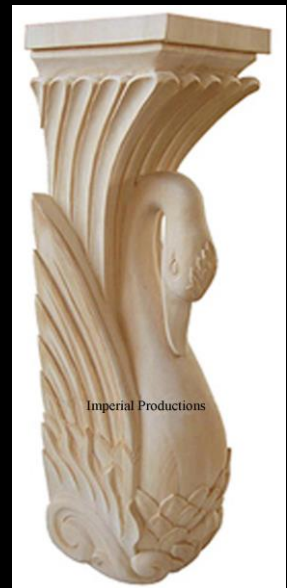
	List	Each
Maple	298.57	209.00
Red Oak	470.55	329.39
Alder	470.55	329.39
Cherry	577.09	403.96
Walnut	666.80	466.76



IPLC4000

Height 35" 88.9cm
Width 8-3/4" 22.2cm
Projection 10" 25.4cm

	List	Each
Maple	call	call
Red Oak	call	call
Cherry	call	call
Walnut, White Oak	call	call
Mahogany	call	call



Imperial Productions

IPLC4001

Height 31-1/2" 80cm
Width 4-3/8" 11cm
Projection 4-3/8" 11cm

	List	Each
Maple	call	call
Red Oak	call	call
Cherry	call	call
Walnut, White Oak	call	call
Mahogany	call	call



Imperial Productions



Martin Richards Design™
COLLECTION

CUSTOM
STYLES



Chair Legs

Custom Sizes Available

IPLB50		
Top Diam	4-3/8"	11.1cm
Height	4-1/2"	11.4cm
	List	Each
Maple	28.30	19.81
Red Oak	28.30	19.81



Custom
Cherry
Walnut
Mahogany

IPLB51		
Top Square	2-3/4"	6.9cm
Height	4-1/2"	11.4cm
	List	Each
Maple	40.19	28.14
Red Oak	40.19	28.14



Custom
Cherry
Walnut
Mahogany

IPLC3210		
Width	4-1/2"	11.4cm
Height	6"	15.2cm
	List	Each
Maple	74.98	52.48
Red Oak	74.98	52.48



Custom
Cherry
Walnut
Mahogany

IPLC3200		
Top Square	4-3/8"	11.4cm
Height	4-1/2"	11.1cm
	List	Each
Maple	64.34	52.48
Red Oak	64.34	52.48



Custom
Cherry
Walnut
Mahogany

IPLC3030		
Top	5" x 5"	12.7cm
Height	14"	35.5cm
	List	Each
Maple	86.09	60.26
Red Oak	86.09	60.26



Custom
Cherry
Walnut
Mahogany

IPLC010		
Top Diam.	4-3/8"	11.1cm
Height	4-1/2"	11.4cm
	List	Each
Maple	60.72	35.50
Red Oak	60.72	35.50



Custom
Cherry
Walnut
Mahogany

IPLC3069		
Top	5" x 5"	12.7cm
Height	14"	35.5cm
	List	Each
Maple	52.59	36.81
Red Oak	52.59	36.81



Custom
Cherry
Walnut
Mahogany

IPCVF835		
Top Flat	3" x 3"	7.6cm
Height	5"	12.7cm
	List	Each
Maple	32.94	24.68
Red Oak	32.94	24.68



Custom
Cherry
Walnut
Mahogany

IPCVF285		
Top Flat	3" x 3"	7.6cm
Height	5-3/4"	14.6cm
	List	Each
Maple	45.76	34.32
Red Oak	45.76	34.32



Custom
Cherry
Walnut
Mahogany

IPCVF275		
Top Flat	3" x 3"	7.6cm
Height	5-3/4"	14.6cm
	List	Each
Maple	37.59	28.19
Red Oak	37.59	28.19



Custom
Cherry
Walnut
Mahogany

Ball Legs

Custom Sizes Available

IPLB5		
Top Diam	3-1/2"	8.8cm
Height	4"	10cm
	List	Each
Maple	29.87	22.40
Red Oak	29.87	22.40



Custom
Cherry
Walnut
Mahogany

IPLB4		
Top Diam	3-1/2"	8.8cm
Height	4"	10cm
	List	Each
Maple	29.87	20.91
Red Oak	27.37	19.16



Custom
Cherry
Walnut
Mahogany

IPLB7		
Top Diam	3-1/2"	8.8cm
Height	4"	10cm
	List	Each
Maple	29.87	22.40
Red Oak	27.37	20.53
Cherry	34.87	20.92

Custom
Cherry
Walnut
Mahogany



IPTPED206		
Height	21-1/2"	54.6cm
Height with Legs 25"		63.5cm
Width/Depth	6" x 6"	15.2cm
Pedestal	List	each
Maple	167.15	117.00
Red Oak	163.62	114.54
Cherry	call	call



Custom
Cherry
Walnut
Mahogany

Pedestal Collection



IPLC40		
Height with Base foot	11"	27.9cm
Leg	List	each
Maple	53.74	37.62
Red Oak	41.44	29.01
Cherry	call	call



Custom
Cherry
Walnut
Mahogany



IPTPED208		
Height	23-3/4"	60.3cm
Height with Legs 28"		71.1cm
Pedestal	List	each
Maple	call	call
Red Oak	call	call
Cherry	call	call



Custom
Cherry
Walnut
Mahogany

IPLC30		
Height with Base foot	11"	27.9cm
Leg	List	each
Maple	call	call
Red Oak	60.59	35.41
Cherry	call	call



Custom
Cherry
Walnut
Mahogany

HARVEST SMOOTH

IPLH15

[PDF Brochure](#)

Height 15" 38cm

	List	Each
Pine	23.96	16.77
Maple	30.78	21.54
Red Oak	33.04	23.11
Cherry		call
Walnut, White Oak		call
Mahogany		call



Top Square 2-5/8" x 2-5/8"

Top Section Height 4"

Lower 11" (27.9cm)

Bottom 1-3/8" (3.4cm)

IPLH275

[PDF Brochure](#)

Height 27" 68.5cm

	List	Each
Maple	32.24	22.55



Top Square 2-5/16" x 2-5/16"

Top Section Height 5-1/8"

Lower 21-7/8" (55.5cm)

Bottom 1-3/8"

IPLH20

[PDF Brochure](#)

Height 20" 50cm

	List	Each
Pine	24.55	17.19
Maple	32.19	22.53
Red Oak	35.48	24.83



Top Square 2-1/4" x 2-1/4"

Top Section Height 4-1/2"

Lower 15-1/2" (39.3cm)

Bottom 1-9/16"

IPLH29

[PDF Brochure](#)

Height 29" 38cm

	List	Each
Pine	35.17	24.62
Maple	46.67	32.67
Red Oak	58.67	41.07
Cherry		call
Walnut, White Oak		call
Mahogany		call



Top Square 2-3/4" x 2-3/4"

Section Height 7"

Lower 22" (55.8cm)

Bottom 1-3/8"

IPLH27

[PDF Brochure](#)

Height 27" 68.5cm

	List	Each
Pine	27.84	19.49
Maple	40.06	28.04
Red Oak	48.52	33.96



Top Square 2-1/4" x 2-1/4"

Top Section Height 5-1/8"

Lower 21-7/8" (55.5cm)

Bottom 1-3/8"

IPLH295

[PDF Brochure](#)

Height 29" 38cm

	List	Each
Hard Maple	46.47	32.53



Top Square 2-3/4" x 2-3/4"

Section Height 7-1/4"

Lower 21-3/4" (55.2cm)

Bottom 1-3/8"

HARVEST SMOOTH

IPLH29L

[PDF Brochure](#)

Height 29" 73.6cm

	List	Each
Maple	81.04	56.73
Red Oak	85.27	59.69
Pine	52.13	36.49
Cherry		call
Walnut, White Oak		call
Mahogany		call



Top Square 3-1/2" x 3-1/2"

Top Section Height 7-1/4"

Lower 21-3/4" (55.2cm)

Bottom 2-1/4" (5.7cm)

GEORGIAN REEDED

IPLG15

[PDF Brochure](#)

Height 15" 38cm

	List	Each
Maple	43.94	30.76
Red Oak	46.52	32.57
Pine	37.01	25.90
Cherry		call
Walnut, White Oak		call
Mahogany		call



Top Square 2-5/8" x 2-5/8"

Top Section Height 4" (10cm)

Lower 11" (27.9cm)

Bottom 1-3/8" (3.5cm)

IPLH36A

[PDF Brochure](#)

Height 36" 91.4cm

	List	Each
Pine	85.76	60.03
Maple	118.71	83.10
Red Oak	115.86	81.10
Cherry	139.96	97.97
Walnut, White Oak		call
Mahogany		call



Top Square 3-1/2" x 3-1/2"

Top Section Height 8-15/16"

Lower 26-1/16" (66.2cm)

Bottom Call

IPLG20

[PDF Brochure](#)

Height 20" 50.8cm

	List	Each
Maple	45.82	32.07
Red Oak	48.87	34.21
Pine	37.83	26.48
Cherry		call
Walnut, White Oak		call
Mahogany		call



Top Square 2-1/4" x 2-1/4"

Top Section 4-1/2" (11.4cm)

Lower 15-1/2" (39.3cm)

Bottom 1-3/8"

IPLH36B

[PDF Brochure](#)

Height 36" 91.4cm

	List	Each
Pine	91.02	63.72
Maple	135.82	95.07
Red Oak	131.16	91.81
Cherry	159.87	111.91
Walnut, White Oak		call
Mahogany		call



Top Square 4" x 4"

Top Section Height 8-15/16"

Lower 26-1/16" (66.2cm)

Bottom Call

IPLG27

[PDF Brochure](#)

Height 27" 68.6cm

	List	Each
Maple	53.81	37.67
Red Oak	61.92	43.34
Pine	41.12	28.78



Top Square 2-1/4" x 2-1/4"

Section Height 5-3/8"

Lower 21-5/8" (54.9cm)

Bottom 1-1/8" (2.8cm)

GEORGIAN REEDED

IPLG29

[PDF Brochure](#)

Height 29" 73.6cm

	List	Each
Maple	58.79	41.15
Red Oak	69.48	48.64
Pine	46.92	32.85
Cherry		call
Walnut, White Oak		call
Mahogany		call



Top Square 2-3/4" x 2-3/4"

Top Section Height 7-1/4"

Lower 21-3/4" (55.2cm)

Bottom 1-3/8" (3.5cm)

IPLG36A

[PDF Brochure](#)

Height 36" 91.4cm

	List	Each
Maple	151.94	106.36
Red Oak	148.43	103.90
Pine	117.92	82.54
Cherry		call
Walnut, White Oak		call
Mahogany		call



Top Square 3-1/2" x 3-1/2"

Top Section Height 8-15/16"

Lower 26-1/16" (66.2cm)

Bottom Call

IPLG29L

[PDF Brochure](#)

Height 29" 73.6cm

	List	Each
Maple	71.99	50.39
Red Oak	99.84	69.89
Pine	66.47	46.53
Cherry		call
Walnut, White Oak		call
Mahogany		call



Top Square 3-1/2" x 3-1/2"

Top Section Height 7-1/4"

Lower 21-3/4" (55.2cm)

Bottom 2-1/8" (5.4cm)

IPLG36B

[PDF Brochure](#)

Height 36" 91.4cm

	List	Each
Maple	169.05	118.33
Red Oak	167.43	117.20
Pine	123.35	86.34
Cherry		call
Walnut, White Oak		call
Mahogany		call



Top Square 4" x 4"

Top Section 4-1/2" (11.4cm)

Lower 15-1/2" (39.3cm)

Bottom 1-3/8"

Martin Richards Design™
COLLECTION



Martin Richards Design™
COLLECTION



CARVINGS & ROSETTES
SEE CARVINGS SECTIONS



REGENCY FLUTED

IPLR15

[PDF Brochure](#)

Height 15" 38cm

	List	Each
Maple	43.94	30.76
Red Oak	46.52	32.57
Pine	37.04	25.90
Cherry		call
Walnut, White Oak		call
Mahogany		call



Top Square 2-5/8" x 2-5/8"

Top Section Height 4"

Lower 11" (27.9cm)

Bottom 1-3/8" (3.5cm)

IPLR29

[PDF Brochure](#)

Height 29" 73.6cm

	List	Each
Maple	58.79	41.15
Red Oak	69.48	48.64
Pine	46.92	32.85
Cherry		call
Walnut, White Oak		call
Mahogany		call



Top Square 2-3/4" x 2-3/4"

Top Section 7-1/4" (18.4cm)

Lower 21-3/4" (55.2cm)

Bottom 1-9/16" (3.9cm)

IPLR20

[PDF Brochure](#)

Height 20" 50cm

	List	Each
Maple	45.82	32.07
Red Oak	48.87	34.21
Pine	37.83	26.48
Cherry		call
Walnut, White Oak		call
Mahogany		call



Top Square 2-1/4" x 2-1/4"

Top Section Height 4-1/2"

Lower 15-1/2" (39.3cm)

Bottom 1-3/8" (3.5cm)

IPLR29L

[PDF Brochure](#)

Height 29" 73.6cm

	List	Each
Maple	71.99	50.39
Red Oak	99.84	69.89
Pine	66.47	46.53
Cherry		call
Walnut, White Oak		call
Mahogany		call



Top Square 3-1/2" x 3-1/2"

Top Section 7-1/4" (18.4cm)

Lower 21-3/4" (55.2cm)

Bottom 2-1/8" (5.4cm)

IPLR27

[PDF Brochure](#)

Height 27" 68.5cm

	List	Each
Pine	41.12	28.78
Maple	53.81	37.67
Red Oak	61.92	43.34
Cherry, Walnut		call
Mahogany, White Oak		call



Top Square 2-1/4" x 2-1/4"

Top Section Height 5-3/8"

Lower 21-5/8" (54.9cm)

Bottom 1-3/8" (3.5cm)

IPLR36A

[PDF Brochure](#)

	List	Each
Pine	107.14	75.00
Maple	140.75	98.53
Red Oak	137.58	96.30
Cherry, Walnut		call
Mahogany, White Oak		call



Height 36" (91.4cm)

Top Square 3-1/2" x 3-1/2"

Top Section Height 8-15/16"

Bottom Section 27-1/16"

IPLR36B

[PDF Brochure](#)

	List	Each
Pine	112.57	78.80
Maple	157.94	110.56
Red Oak	152.88	107.01
Cherry, Walnut		call
Mahogany, White Oak		call

Height 36" (91.4cm)

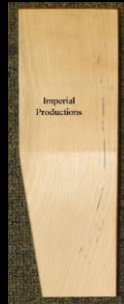
Top Square 4" x 4" (10cm)

Top Section Height 8-15/16"

Bottom Section 27-1/16"

MODERN LEGS

IPLH1200



Top Square 2-5/8" x 2-5/8"

Height | 8" | 20.3cm

Top Section Height 4"

	List	Each
Maple	28.76	20.13

2 Sided Taper

Lower 4" (10cm)

IPLH1201



Top Square 4" x 4"

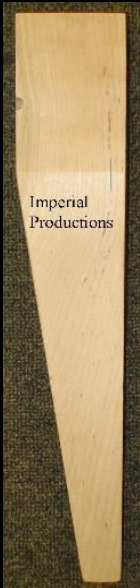
4 Sided Taper

Height | 8" | 20.3cm

Bottom call

	List	Each
Maple	57.29	40.11

IPLM15



Top Square 2-5/8" x 2-5/8"

PDF Brochure

Height | 15" | 38cm

Top Section Height 4"

	List	Each
Pine	call	
Maple	23.05	16.14
Red Oak	24.74	17.32
Cherry		call
Walnut, White Oak		call
Mahogany		call

Lower 11" (27.9cm)

2 Sided Taper

Bottom 1"

IPLM155



Top Square 2-5/8" x 2-5/8"

PDF Brochure

Height | 15" | 38cm

Top Section Height 4"

	List	Each
Maple	31.60	22.12
Red Oak	call	
Pine	call	
Cherry		
Walnut, White Oak		
Mahogany		

Lower 11" (27.9cm)

4 Sided Taper

Bottom 1" (2.54cm)

IPLM205



Top Square 2-1/4" x 2-1/4"

PDF Brochure

Top Section Height 4"

Height | 20" | 50.8cm

	List	Each
Pine	call	
Red Oak	call	
Maple	call	
Cherry		
Walnut, White Oak		
Mahogany		

Lower 11" (27.9cm)

4 Sided Taper

Bottom 1" (2.54cm)

IPLM20



Top Square 2-1/4" x 2-1/4"

PDF Brochure

Section Height 4"

Height | 20" | 50cm

	List	Each
Pine	call	
Maple	26.54	18.55
Red Oak	26.55	18.59
Cherry		call
Walnut, White Oak		call
Mahogany		call

Lower 16" (40.6cm)

2 Sided Taper

Bottom 1" (2.5cm)

IPLM27



Top Square 2-1/4" x 2-1/4"

PDF Brochure

Section Height 4"

Height | 27" | 50cm

	List	Each
Pine	call	
Maple	32.02	22.41
Red Oak	35.35	24.75
Cherry		call
Walnut, White Oak		call
Mahogany		call

Lower 16" (40.6cm)

2 Sided Taper

Bottom 1" (2.5cm)

MODERN LEGS

IPLM275

PDF Brochure

Height 27" 68.5cm

	List	Each
Maple	49.82	34.88
Red Oak	call	
Pine	call	
Cherry		
Walnut, White Oak		
Mahogany		

4 Sided Taper



Top Square 2-1/4" x 2-1/4"

Top Section Height 4"

Lower 23" (58.4cm)

Bottom 1" (2.54cm)

IPLM295

PDF Brochure

Height 29" 73.6cm

	List	Each
Maple	58.93	41.25
Red Oak	call	
Pine	call	
Cherry		
Walnut, White Oak		
Mahogany		

4 Sided Taper



Top Square 2-5/8" x 2-5/8"

Top Section Height 4"

Lower 11" (27.9cm)

Bottom 1" (2.54cm)

IPLM29

PDF Brochure

Height 29" 73.6cm

	List	Each
Pine	call	
Maple	37.45	26.21
Red Oak	42.92	30.04
Cherry		call
Walnut, White Oak		call
Mahogany		call

2 Sided Taper



Top Square 2-3/4" x 2-3/4"

Section Height 4"

Lower 25" (63.5cm)

Bottom 1" (2.5cm)

IPLM29NT

Height 29" 73.6cm

	List	Each
Pine	call	
Maple	64.16	44.92
Red Oak	call	call
Cherry		call
Walnut, White Oak		call
Mahogany		call



Top Square 2-3/4" x 2-3/4"

Section Height 4"

Lower 16" (40.6cm)

Bottom 1" (2.5cm)

TAPERED



NON TAPERED



ATLANTIS COLLECTION

IPMRD3012

Top Square 4" x 4"

[PDF Brochure](#)

Height 15" 38.1cm

	List	Each
Pine	call	
Maple	74.04	51.82
Red Oak		call
Cherry		call
Walnut, White Oak		call
Mahogany		call



Section Height 4"

Lower 11"

Bottom Call

IPMRD3010

Top Square 4" x 4"

[PDF Brochure](#)

Height 29" 73.6cm

	List	Each
Pine	call	
Maple	117.26	82.08
Red Oak		call
Cherry		call
Walnut, White Oak		call
Mahogany		call



Section Height 4"

Lower Section 25"

Bottom Call

IPMRD3014

Top Square 4" x 4"

[PDF Brochure](#)

Height 20" 50.8cm

	List	Each
Pine	call	
Maple	89.66	62.76
Red Oak		call
Cherry		call
Walnut, White Oak		call
Mahogany		call



Section Height 4"

Lower 16"

Bottom Call

IPLC3300

Top Square 3-3/4" x 3-3/4"

[PDF Brochure](#)

Height 36" 91.4cm

	List	Each
Pine	call	
Maple	143.99	100.79
Red Oak		call
Cherry		call
Walnut, White Oak		call
Mahogany		call



Section Height 5-3/4"

Lower 31-1/4"

Bottom Call

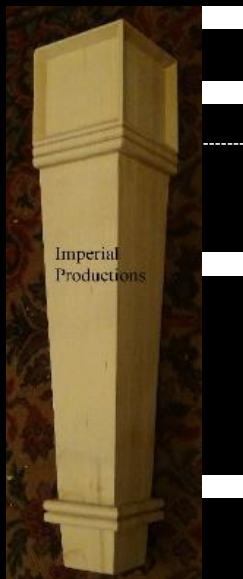
IPMRD3015

Top Square 4" x 4"

[PDF Brochure](#)

Height 27" 68.6cm

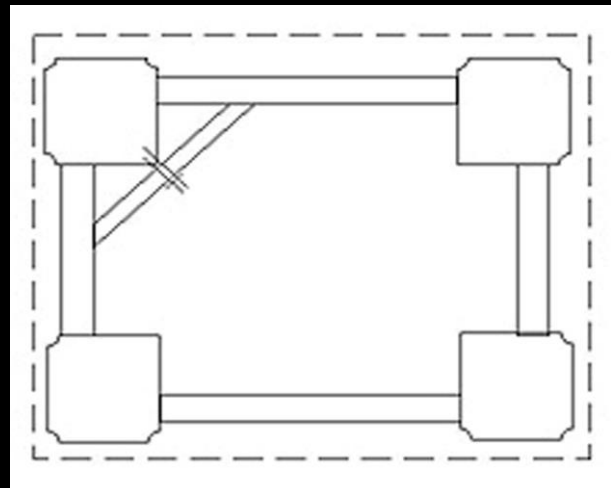
	List	Each
Pine	call	
Maple	107.04	74.93
Red Oak		call
Cherry		call
Walnut, White Oak		call
Mahogany		call



Section Height 4"

Lower 23"

Bottom Call



QUEEN ANNE

IPLQ6

Height 6" 15.2cm

	List	Each
Maple	29.84	20.89
Red Oak	call	
Cherry	31.84	22.29

Top Square 2-1/2" x 2-1/2"
 Top Section Height 2"
 Lower 4" (10cm)



IPLQ27

PDF Brochure

Height 27" 68.6cm

	List	Each
Maple	38.30	26.81
Red Oak	50.17	35.12
Cherry	call	call
Walnut, White Oak	call	call
Mahogany		call



Top Sq 2" x 2"

Section Height 4-1/2"

Lower 22-1/2"

Bottom 1-9/16"

IPLQ15

PDF Brochure

Height 15" 38.1cm

	List	Each
Maple	33.25	23.27
Red Oak	39.47	27.63
Cherry	call	call
Walnut, White Oak	call	call
Mahogany		call



Top Square 2" x 2"

Top Section Height 4"

Lower 11" (27.9cm)

Bottom 1" (2.5cm)

IPLQ29

PDF Brochure

Height 29" 73.6cm

	List	Each
Maple	53.93	37.75
Red Oak	68.85	48.19
Cherry	call	call
Walnut, White Oak	call	call
Mahogany		call
Top Section Height 2"		
Lower 4" (10cm)		



Top Sq 2" x 2"

Section Height 4-1/2"

Lower 24-1/2"

Bottom 1-9/16"

IPLQ20

PDF Brochure

Height 20" 50.8cm

	List	Each
Maple	38.30	26.81
Red Oak	50.17	35.12
Cherry	call	call
Walnut, White Oak	call	call
Mahogany		call



Top Sq 2-1/4"x2-1/4"

Section Height 4-1/2"

Lower 15-1/2"

Bottom 1-9/16"





FRENCH COUNTRY

IPLF15

[PDF Brochure](#)

Height 15" 38.1cm

	List	Each
Maple	44.76	31.33
Red Oak	50.64	35.45
Cherry	call	call
Walnut, White Oak	call	call
Mahogany	call	call



Top Sq 2-3/4" x 2-3/4"

Section Height 4"

Lower 11"

Bottom 1-9/16"

IPLQ29

[PDF Brochure](#)

Height 29" 73.6cm

	List	Each
Maple	53.93	37.75
Red Oak	68.85	48.19
Cherry	call	call
Walnut, White Oak	call	call
Mahogany	call	call



Top Sq 2-3/4"x2-3/4"

Section Height 4-1/2"

Lower 24-1/2"

Bottom 1-9/16"

IPLF20

[PDF Brochure](#)

Height 20" 50cm

	List	Each
Maple	49.58	34.70
Red Oak	61.56	43.09
Cherry	call	call
Walnut, White Oak	call	call
Mahogany	call	call



Top Sq 2-3/4" x 2-3/4"

Section Height 4"

Lower 16"

Bottom 1-9/16"

IPLF34EXT

[PDF Brochure](#)

Height 29" 73.6cm

	List	Each
Maple	96.42	67.49
Red Oak	call	call
Cherry	call	call
Walnut, White Oak	call	call
Mahogany	call	call



Top Sq 2-3/4"x2-3/4"

Section Height 9" (22.8cm)

Lower 25" (63.5cm)

Bottom 1-9/16"

IPLQ27

[PDF Brochure](#)

Height 27" 68.5cm

	List	Each
Maple	38.30	26.81
Red Oak	50.17	35.12
Cherry	call	call
Walnut, White Oak	call	call
Mahogany	call	call



Top Square 2" x 2"

Top Section Height 4-1/2"

Lower 22-1/2" (57cm)

Bottom 1" (2.5cm)



Martin Richards Design™
COLLECTION

CARVED TABLE LEGS

IPMRD3034

[PDF Brochure](#)

Height 30" 76.2cm

	List	Each
Maple	114.30	80.01
Red Oak	175.44	122.81
Alder	175.44	122.81
Cherry	216.42	151.49
Walnut	250.92	175.65



Top 3" x 3"
Height 4"

Lower 26"

IPMRD3038

[PDF Brochure](#)

Height 30" 76.2cm

	List	Each
Maple	135.87	95.1
Red Oak	197.04	137.9
Alder	197.04	137.9
Cherry	246.18	172.3
Walnut	287.59	201.3



Top 3" x 3"
Height 4"

Lower 26"

IPMRD3032

[PDF Brochure](#)

Height 30" 76.2cm
Top 7-3/16" 18.3cm

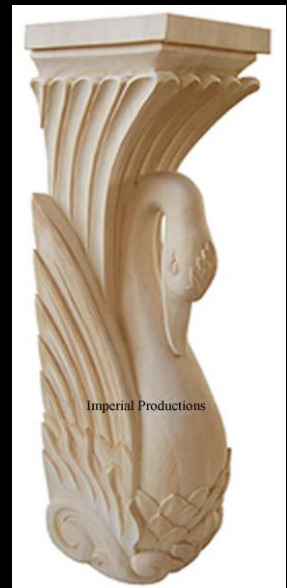
	List	Each
Maple	298.57	209.00
Red Oak	470.55	329.39
Alder	470.55	329.39
Cherry	577.09	403.96
Walnut	666.80	466.76



IPLC4000

Height 35" 88.9cm
Width 8-3/4" 22.2cm
Projection 10" 25.4cm

	List	Each
Maple	call	call
Red Oak	call	call
Cherry	call	call
Walnut, White Oak	call	call
Mahogany	call	call



Imperial Productions

IPLC4001

Height 31-1/2" 80cm
Width 4-3/8" 11cm
Projection 4-3/8" 11cm

	List	Each
Maple	call	call
Red Oak	call	call
Cherry	call	call
Walnut, White Oak	call	call
Mahogany	call	call



Imperial Productions



Martin Richards Design™
COLLECTION

CUSTOM
STYLES



Chair Legs

Custom Sizes Available

IPLB50		
Top Diam	4-3/8"	11.1cm
Height	4-1/2"	11.4cm
	List	Each
Maple	28.30	19.81
Red Oak	28.30	19.81



Custom
Cherry
Walnut
Mahogany

IPLB51		
Top Square	2-3/4"	6.9cm
Height	4-1/2"	11.4cm
	List	Each
Maple	40.19	28.14
Red Oak	40.19	28.14



Custom
Cherry
Walnut
Mahogany

Ball Legs

Custom Sizes Available

IPLB5		
Top Diam	3-1/2"	8.8cm
Height	4"	10cm
	List	Each
Maple	29.87	22.40
Red Oak	29.87	22.40



Custom
Cherry
Walnut
Mahogany

IPLB4		
Top Diam	3-1/2"	8.8cm
Height	4"	10cm
	List	Each
Maple	29.87	20.91
Red Oak	27.37	19.16



Custom
Cherry
Walnut
Mahogany

IPLC3210		
Width	4-1/2"	11.4cm
Height	6"	15.2cm
	List	Each
Maple	74.98	52.48
Red Oak	74.98	52.48



Custom
Cherry
Walnut
Mahogany

IPLC3200		
Top Square	4-3/8"	11.4cm
Height	4-1/2"	11.1cm
	List	Each
Maple	62.04	43.43
Red Oak	62.04	43.43



Custom
Cherry
Walnut
Mahogany

IPLB7		
Top Diam	3-1/2"	8.8cm
Height	4"	10cm
	List	Each
Maple	29.87	22.40
Red Oak	27.37	20.53
Cherry	34.87	20.92

Custom
Cherry
Walnut
Mahogany



IPLC3030		
Top	5" x 5"	12.7cm
Height	14"	35.5cm
	List	Each
Maple	86.09	60.26
Red Oak	86.09	60.26



Custom
Cherry
Walnut
Mahogany

IPLC010		
Top Diam.	4-3/8"	11.1cm
Height	4-1/2"	11.4cm
	List	Each
Maple	60.72	35.50
Red Oak	60.72	35.50



Custom
Cherry
Walnut
Mahogany

IPTPED206		
Height	21-1/2"	54.6cm
Height with Legs 25"		63.5cm
Width/Depth	6" x 6"	15.2cm
Pedestal	List	each
Maple	167.15	117.00
Red Oak	163.62	114.54
Cherry	call	call



Custom
Cherry
Walnut
Mahogany

Pedestal Collection



IPLC3069		
Top	5" x 5"	12.7cm
Height	14"	35.5cm
	List	Each
Maple	52.59	36.81
Red Oak	52.59	36.81



Custom
Cherry
Walnut
Mahogany

IPCVF835		
Top Flat	3" x 3"	7.6cm
Height	5"	12.7cm
	List	Each
Maple	38.08	26.66
Red Oak	38.08	26.66



Custom
Cherry
Walnut
Mahogany

IPLC40		
Height with Base foot	11"	27.9cm

Leg	List	each
Maple	53.74	37.62
Red Oak	41.44	29.01
Cherry	call	call



Custom
Cherry
Walnut
Mahogany



IPCVF285		
Top Flat	3" x 3"	7.6cm
Height	5-3/4"	14.6cm
	List	Each
Maple	44.13	30.89
Red Oak	44.13	30.89



Custom
Cherry
Walnut
Mahogany

IPCVF275		
Top Flat	3" x 3"	7.6cm
Height	5-3/4"	14.6cm
	List	Each
Maple	37.59	28.19
Red Oak	37.59	28.19



Custom
Cherry
Walnut
Mahogany

IPTPED208		
Height	23-3/4"	60.3cm
Height with Legs 28"		71.1cm
Pedestal	List	each
Maple	call	call
Red Oak	call	call
Cherry	call	call



Custom
Cherry
Walnut
Mahogany

IPLC30		
Height with Base foot	11"	27.9cm

Leg	List	each
Maple	call	call
Red Oak	60.59	35.41
Cherry	call	call



Custom
Cherry
Walnut
Mahogany