



Imperial Productions®



Roman Corinthian CAPITALS



SPLIT OPTIONS





IPCROC4	Bottom Circle 3-1/8"		
Interior Hardwood	List	Each	50 +
Hard Maple	124.67	93.50	74.80
Red Oak	124.67	93.50	74.80
Alder	124.67	93.50	74.80
Cherry	204.10	153.07	122.46
Walnut	211.32	158.49	126.79
White Oak	137.05	102.79	82.23
ArchPolymer™	Custom Priced		
GRG-NeoPlaster			

ITEM RC1



Top 4-1/4" x 4-1/4"



Height
5"
12.7cm

Circle 3-1/8" (7.9cm)

Custom R-Corinthian Form

[click for Drawing/Order Form](#)

IPCROC4A	Bottom Circle 3-1/4"		
Interior Hardwood	List	Each	50 +
Hard Maple	147.55	110.66	88.53
Red Oak	147.55	110.66	88.53
Alder	147.55	110.66	88.53
Cherry	203.44	152.58	122.06
Walnut	249.60	187.20	149.76
White Oak	162.13	121.60	97.28
ArchPolymer™	Custom Priced		
GRG-NeoPlaster			

ITEM RC2



Top 5-1/4 x 5-1/4"



Height
5"
12.7cm

Bottom Circle 3-1/4" (8.2cm)

Custom R-Corinthian Form

[click for Drawing/Order Form](#)

IPMRD0400	Bottom Circle 3-1/2"		
Interior Hardwood	List	Each	50 +
Hard Maple	171.68	128.76	103.01
Red Oak	171.68	128.76	103.01
Alder	171.68	128.76	103.01
Cherry	225.06	168.80	135.04
Walnut	290.74	218.06	174.45
White Oak	188.69	141.52	113.22
ArchPolymer™	Custom Priced		
GRG-NeoPlaster			

ITEM RC3



Top 6-1/4" x 6-1/4" (15.8cm)



Height
5"
12.7cm

Bottom Circle 3-1/2" (8.8cm)

Custom R-Corinthian Form

[click for Drawing/Order Form](#)

IPCROC5	Bottom Circle 4-1/4"		
Interior Hardwood	List	Each	50 +
Hard Maple	205.58	154.19	123.35
Red Oak	205.58	154.19	123.35
Alder	205.58	154.19	123.35
Cherry	270.79	203.09	162.47
Walnut	324.64	243.48	194.79
White Oak	222.59	166.94	133.56
ArchPolymer™	Custom Priced		
GRG-NeoPlaster			

ITEM RC4



Top 5-3/4" x 5-3/4" (14.6cm)



Height
7"
17.8cm

Bottom Circle 4-1/4" (10.8cm)

Custom R-Corinthian Form

[click for Drawing/Order Form](#)



IPNP7034	Bottom Circle 5"		
	List	Each	50 +
ArchPolymer™	140.86	105.65	84.52
GRG-NeoPlaster™	Custom Priced		

ITEM RC5



8-3/4" x 8-3/4" (21.1cm)



Height
7"
17.8cm

Bottom Circle 5" (12.7cm)

Custom R-Corinthian Form

[click for
Drawing/Order Form](#)

IPCPROC6B	Bottom Circle 5"		
Interior Hardwood	List	Each	50 +
Hard Maple	198.48	148.86	119.09
Red Oak	Custom Priced		
Alder	Custom Priced		
Cherry	Custom Priced		
Walnut	Custom Priced		
White Oak	Custom Priced		
ArchPolymer™	Custom Priced		
GRG-NeoPlaster			

ITEM RC6

Top 7-3/4" x 7-3/4" (19.7cm)



Height
8-1/8"
20.6cm

Bottom Circle 5" (12.7cm)

Custom R-Corinthian Form

[click for
Drawing/Order Form](#)

IPMRD0501	Bottom Circle 5-1/4"		
Interior Hardwood	List	Each	50 +
Hard Maple	264.28	198.21	158.57
Red Oak	264.28	198.21	88.53
Alder	264.28	198.21	158.57
Cherry	329.49	247.11	197.69
Walnut	383.34	287.51	230.01
White Oak	281.29	210.97	168.77
ArchPolymer™	Custom Priced		
GRG-NeoPlaster			

ITEM RC7



8-1/2" x 8-1/2" (21.6 x 21.6cm)



Height
8-1/2"
21.6cm

Bottom Circle 5-1/4" (13.3cm)

Custom R-Corinthian Form

[click for
Drawing/Order Form](#)

IPMRD0500	Bottom Circle 5-1/4"		
Interior Hardwood	List	Each	50 +
Hard Maple	151.34	113.50	90.80
Red Oak	151.34	113.50	90.80
Alder	151.34	113.50	90.80
Cherry	207.23	155.42	124.34
Walnut	253.39	190.04	152.03
White Oak	165.92	124.44	99.55
ArchPolymer™	Custom Priced		
GRG-NeoPlaster			

ITEM RC8



Top 7-7/8" x 7-7/8" (20cm)



Height
7"
17.7cm

Bottom Circle 5-1/4" (12.7cm)

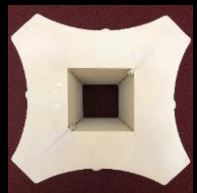
Custom R-Corinthian Form

[click for
Drawing/Order Form](#)



IPAPRC103	Bottom Circle 6-5/8"		
	List	Each	50 +
ArchPolymer™	163.15	122.36	97.89
GRG-NeoPlaster™	Custom Priced		

ITEM RC9



Top 12" x 12" (30.5 x 30.5cm)



Height 10-1/2" 26.6cm

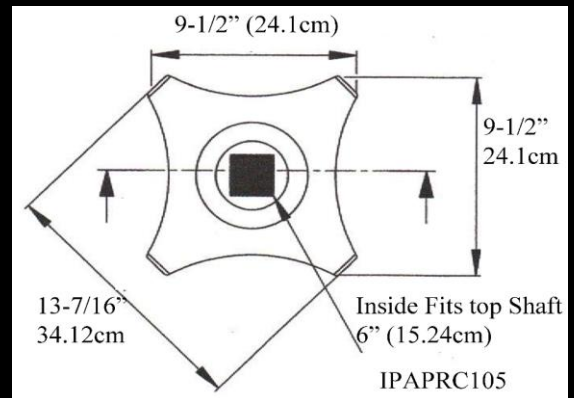
Bottom Round 6-5/8" (16.8cm)

[click for Drawing/Order Form](#)

Custom R-Corinthian Form

IPAPRC105	Fits Top Shaft 6"		
	List	Each	50 +
ArchPolymer™	547.16	410.37	328.30
GRG-NeoPlaster™	Custom Priced		

ITEM RC10

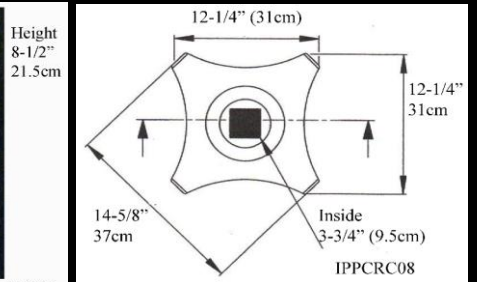


[click for Drawing/Order Form](#)

Custom R-Corinthian Form

IPPCRC08-Load	Bottom Circle 6-1/16"		
FRP-PolyComp™	List	Each	50 +
Whole	562.22	421.66	337.33
Split in Half (Pilaster)	625.63	469.22	375.38
Whole White Painted	585.76	439.32	351.45
Split in Half White Painted	649.16	486.87	389.50

ITEM RC11



[click for Drawing/Order Form](#)

IPNP7030	Bottom Circle 6-1/4"		
	List	Each	50 +
ArchPolymer™	139.89	104.92	83.94
GRG-NeoPlaster™	Custom Priced		

ITEM RC12



10" x 10" (25.4cm)



Height 7-7/8" 20cm

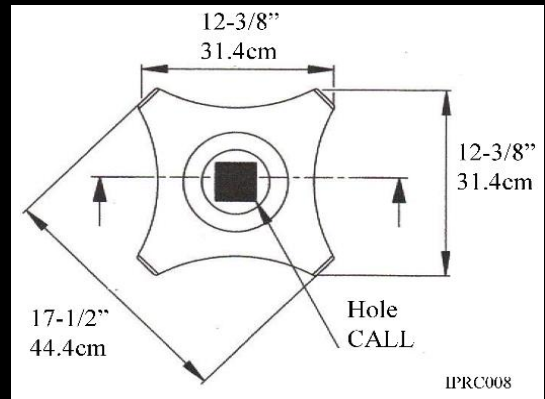
Bottom Circle 6-1/4" (15.8cm)

[click for Drawing/Order Form](#)

Custom R-Corinthian Form



IPRC008	Bottom Circle Fits 6-1/4"			ITEM RC13
ECONPOLYMER	List	Each	50 +	
Whole	670.73	503.05	402.44	
Split for Post Wrap	755.79	566.84	453.47	
Split in Half (Pilaster)	755.79	566.84	453.47	



Custom R-Corinthian Form

[click for Drawing/Order Form](#)

IPMRD0502	Bottom Circle 6-1/2"			ITEM RC14
Interior Hardwood	List	Each	50 +	
Hard Maple	435.99	326.99	261.59	
Red Oak	435.99	326.99	261.59	
Alder	435.99	326.99	261.59	
Cherry	599.73	449.80	359.84	
Walnut	732.55	549.41	439.53	
White Oak	478.35	358.76	287.01	
ArchPolymer™	Custom Priced			
GRG-NeoPlaster				

Top 10-1/2" x 10-1/2" (26.7cm)



Bottom Circle 6-1/2" (16.5cm)

Custom R-Corinthian Form

[click for Drawing/Order Form](#)

IPCPROC8	Bottom Circle 6-1/2"			ITEM RC15
Interior Hardwood	List	Each	50 +	
BASSWOOD	224.08	168.06	134.45	
Red Oak	Custom Priced			
Alder	Custom Priced			
Cherry	Custom Priced			
Walnut	Custom Priced			
White Oak	Custom Priced			
ArchPolymer™	Custom Priced			
GRG-NeoPlaster				

Top 11" x 11" (27.9cm)



Bottom Circle 6-1/2" (16.5cm)

Custom R-Corinthian Form

[click for Drawing/Order Form](#)

IPNP7030A	Bottom Circle 6-3/4"			ITEM RC16
ArchPolymer™	List	Each	50 +	
ArchPolymer™	155.95	116.96	93.57	
GRG-NeoPlaster™	Custom Priced			

11" x 11" (27.9cm)



Bottom Circle 6-3/4" (17cm)

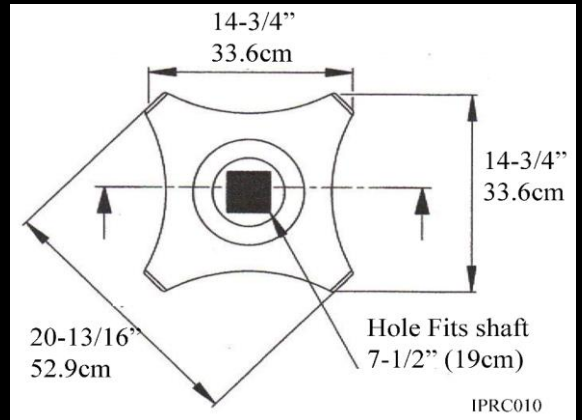
Custom R-Corinthian Form

[click for Drawing/Order Form](#)



IPRC010	Bottom Circle Fits 8"		
ECONPOLYMER	List	Each	50 +
Whole	899.07	674.31	539.44
Split for Post Wrap	984.13	738.10	590.48
Split in Half (Pilaster)	984.13	738.10	590.48

ITEM RC17



IPRC010

Custom R-Corinthian Form

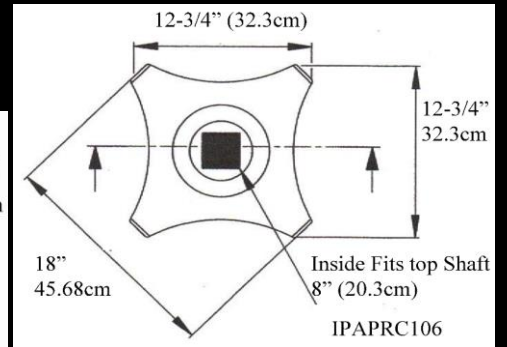


Bottom Circle fits 7-1/2" (19cm)

click for Drawing/Order Form

IPAPRC106	Bottom Circle 8"		
ArchPolymer™	List	Each	50 +
GRG-NeoPlaster™	574.04	430.51	344.41
	Custom Priced		

ITEM RC18



IPAPRC106

click for Drawing/Order Form



Bottom Round 8" (20.3cm) IPAPRC106

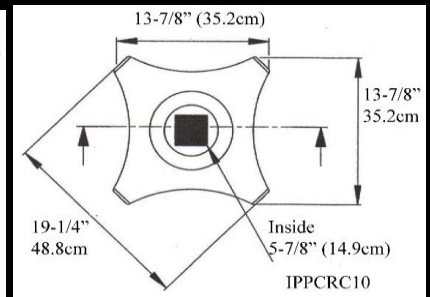
Custom R-Corinthian Form

IPPCRC10-Load	Bottom Circle 8-1/4"		
FRP-PolyComp™	List	Each	50 +
Whole	813.47	610.10	488.08
Split in Half (Pilaster)	876.88	657.66	526.13
Whole White Painted	849.36	637.02	509.62
Split in Half White Painted	912.77	684.58	547.66

ITEM RC19



Bottom Circle 8-1/8" (20.63cm) IPPCRC10

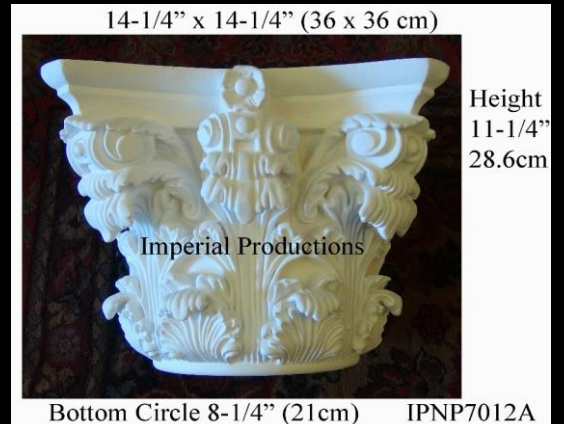


IPPCRC10

click for Drawing/Order Form

IPNP7027A	Bottom Circle 8-1/4"		
ArchPolymer™	List	Each	50 +
GRG-NeoPlaster™	140.86	105.65	84.52
	Custom Priced		

ITEM RC20



Bottom Circle 8-1/4" (21cm) IPNP7012A

Custom R-Corinthian Form

click for Drawing/Order Form



IPNP7027	Bottom Circle 8-1/2"		
	List	Each	50 +
ArchPolymer™	187.59	140.69	112.56
GRG-NeoPlaster™	Custom Priced		

ITEM RC21



Top 13-5/8" x 13-5/8" (34.6cm)

Height 11" 27.9cm

Bottom Circle 8-1/2" (21.6cm) IPNP7027

Custom R-Corinthian Form

[click for Drawing/Order Form](#)

IPMRD0503	Bottom Circle 8-1/2"		
Interior Hardwood	List	Each	50 +
Hard Maple	739.35	554.51	443.61
Red Oak	739.35	554.51	443.61
Alder	739.35	554.51	443.61
Cherry	1235.59	926.69	741.35
Walnut	1509.48	1132.11	905.69
White Oak	903.76	677.82	542.26
ArchPolymer™	Custom Priced		
GRG-NeoPlaster			

ITEM RC22



Top 16" x 16" (40.6cm)

Height 11-3/4" 29.8cm

Bottom Circle 8-1/2" (57.5cm) IPMRD0503

Custom R-Corinthian Form

[click for Drawing/Order Form](#)

IPCPROC10B	Bottom Circle 8-1/2"		
Interior Hardwood	List	Each	50 +
BASSWOOD	525.02	393.77	315.01
Red Oak	Custom Priced		
Alder	Custom Priced		
Cherry	Custom Priced		
Walnut	Custom Priced		
White Oak	Custom Priced		
ArchPolymer™	Custom Priced		
GRG-NeoPlaster	Custom Priced		

ITEM RC23

Top 14-1/4" x 14-1/4" (36.2cm)

Height 14-1/4" 36.2cm

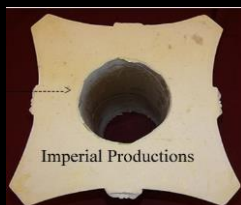
Circle 8-1/2" (21.6cm) IPCPROC10B

Custom R-Corinthian Form

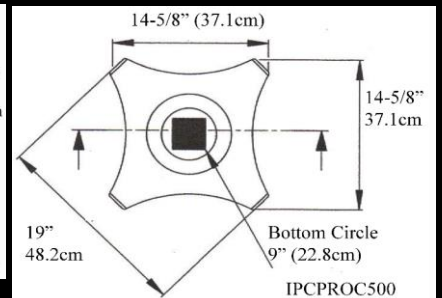
[click for Drawing/Order Form](#)

IPCPROC500	Bottom Circle 9"		
	List	Each	50 +
ArchPolymer™	540.10	382.58	306.06
Plaster	596.70	447.53	358.02

ITEM RC24



Height 14" 35.6cm



[click for Drawing/Order Form](#)

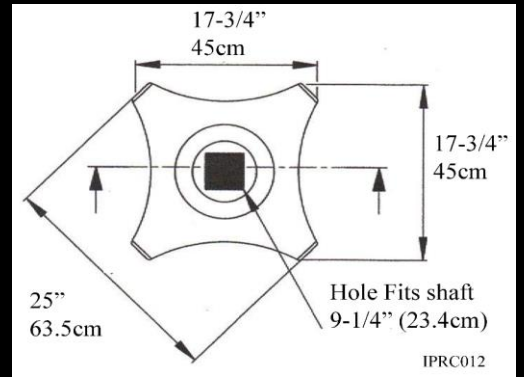
Custom R-Corinthian Form



IPRC012		Bottom Circle Fits 9-1/4"		ITEM RC25
ECONPOLYMER	List	Each	50 +	
Whole	1069.18	801.89	641.51	
Split for Post Wrap	1154.24	865.68	692.54	
Split in Half (Pilaster)	1154.24	865.68	692.54	

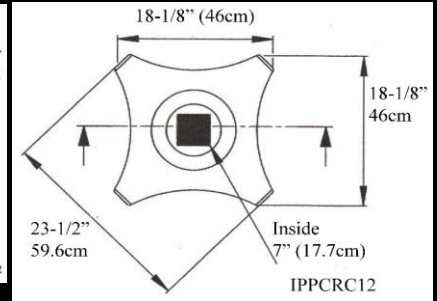
Custom R-Corinthian Form

[click for Drawing/Order Form](#)



IPPCRC12-Load		Bottom Circle 9-7/8"		ITEM RC26
FRP-PolyComp™	List	Each	50 +	
Whole	1083.25	812.44	649.95	
Split in Half (Pilaster)	1147.03	860.27	688.22	
Whole White Painted	1144.80	858.60	686.88	
Split in Half White Painted	1208.55	906.41	725.13	

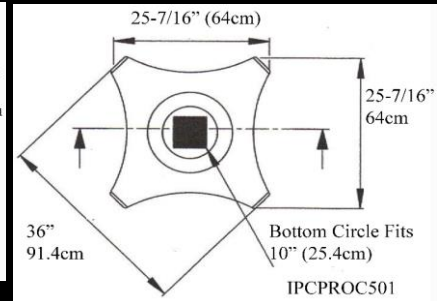
[click for Drawing/Order Form](#)



IPCPROC501		Bottom Circle Fits 10"		ITEM RC27
ArchPolymer™	List	Each	50 +	
ArchPolymer™	670.98	503.23	402.59	
PLASTER	789.75	592.31	473.85	

[click for Drawing/Order Form](#)

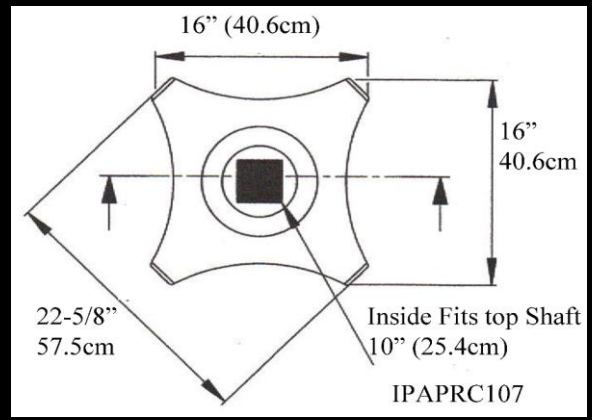
Custom R-Corinthian Form




IPAPRC107		Fits 10" Top of Shaft		ITEM RC28
ArchPolymer™	List	Each	50 +	
ArchPolymer™	649.72	487.29	389.83	
GRG-NeoPlaster™	Custom Priced			

[click for Drawing/Order Form](#)

Custom R-Corinthian Form






IPMRD0504	Bottom Circle 11-1/2"			ITEM RC29
Interior Hardwood	List	Each	50 +	
Hard Maple	1290.91	968.19	774.55	
Red Oak	1290.91	968.19	774.55	
Alder	1290.91	968.19	774.55	
Cherry	1583.24	1187.43	949.94	
Walnut	1942.91	1457.18	1165.75	
White Oak	1384.06	1038.04	830.43	
ArchPolymer™	Custom Priced			
GRG-NeoPlaster				



Custom R-Corinthian Form


click for Drawing/Order Form

IPMRD0512	Bottom Circle 12"			ITEM RC30
Interior Hardwood	List	Each	50 +	
Hard Maple	1760.82	1320.61	1056.49	
Red Oak	1760.82	1320.61	1056.49	
Alder	1760.82	1320.61	1056.49	
Cherry	2298.44	1723.83	1379.06	
Walnut	2959.92	2219.94	1775.95	
White Oak	1932.12	1449.09	1159.27	
ArchPolymer™	Custom Priced			
GRG-NeoPlaster				

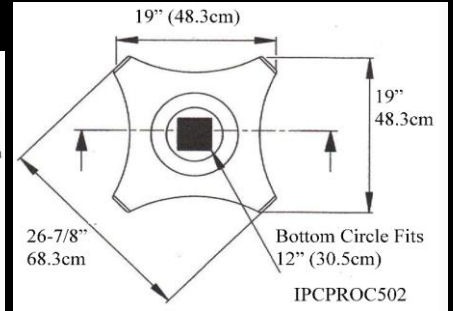


Custom R-Corinthian Form


click for Drawing/Order Form

IPCPROC502	Bottom Circle 12"			ITEM RC31
ArchPolymer™	List	Each	50 +	
PLASTER	802.60	601.95	481.56	
	947.70	710.78	568.62	

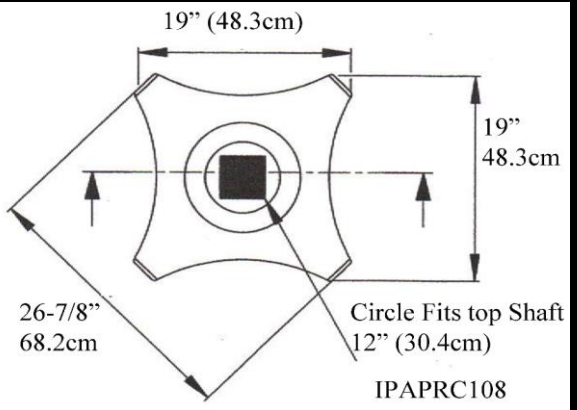
click for Drawing/Order Form



Custom R-Corinthian Form

IPAPRC108	Fits 12" Top of Shaft			ITEM RC32
ArchPolymer™	List	Each	50 +	
GRG-NeoPlaster™	781.41	586.06	468.84	
			Custom Priced	

click for Drawing/Order Form

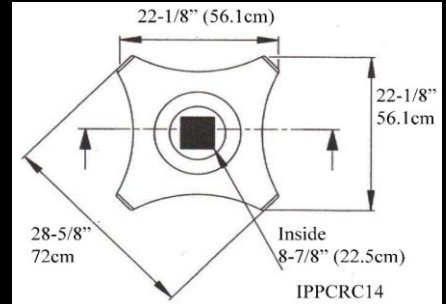


Custom R-Corinthian Form



IPPCRC14-Load	Bottom Circle 12-1/2"		
FRP-PolyComp™	List	Each	50 +
Whole	1612.53	1209.39	967.52
Split in Half (Pilaster)	1675.90	1256.93	1005.54
Whole White Painted	1680.68	1260.51	1008.41
Split in Half White Painted	1744.06	1308.04	1046.43

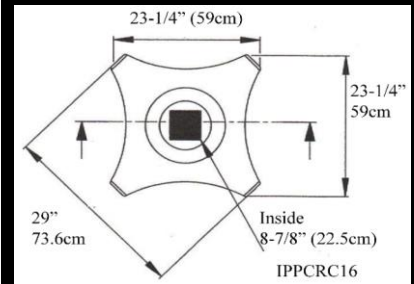
ITEM RC33



[click for Drawing/Order Form](#)

IPPCRC16-Load	Bottom Circle 12-1/2"		
FRP-PolyComp™	List	Each	50 +
Whole	1528.90	1146.67	917.34
Split in Half (Pilaster)	2691.09	2018.32	1614.65
Whole White Painted	2465.55	1849.16	1479.33
Split in Half White Painted	2769.74	2077.30	1661.84

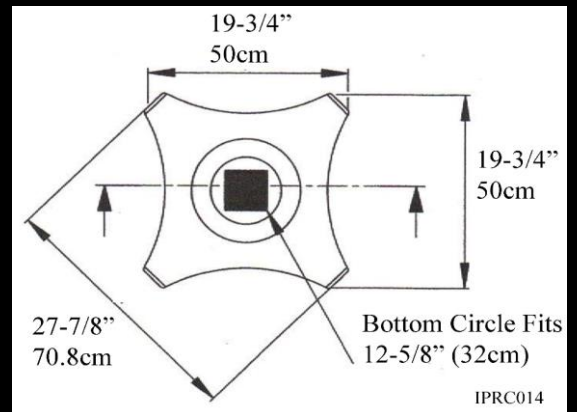
ITEM RC34



[click for Drawing/Order Form](#)

IPRC014	Bottom Circle Fits 12-5/8"		
ECONPOLYMER	List	Each	50 +
Whole	1555.16	1166.37	933.10
Split for Post Wrap	1640.21	1230.16	984.13
Split in Half (Pilaster)	1640.21	1230.16	984.13

ITEM RC35



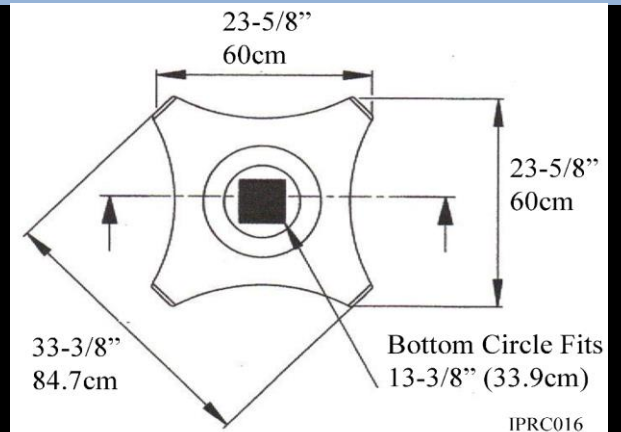
Custom R-Corinthian Form



[click for Drawing/Order Form](#)

IPRC016	Bottom Circle Fits 13-3/8"		
ECONPOLYMER	List	Each	50 +
Whole	2186.89	1640.17	1312.14
Split for Post Wrap	2482.64	1861.98	1489.59
Split in Half (Pilaster)	2482.64	1861.98	1489.59

ITEM RC36



Custom R-Corinthian Form



[click for Drawing/Order Form](#)

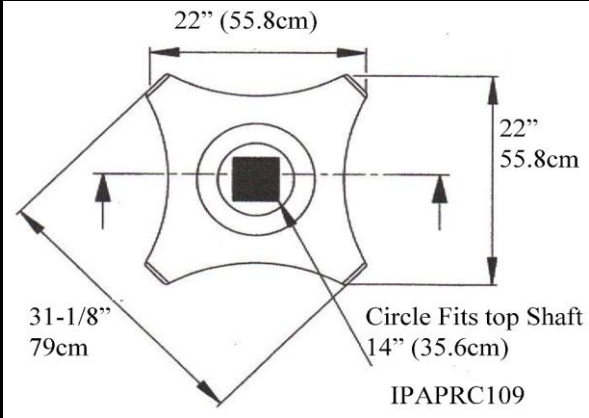


IPAPRC109	Fits 14" Top of Shaft			ITEM RC37
	List	Each	50 +	
ArchPolymer™	1063.58	797.68	638.15	
GRG-NeoPlaster™	Custom Priced			

Custom R-Corinthian Form



[click for Drawing/Order Form](#)

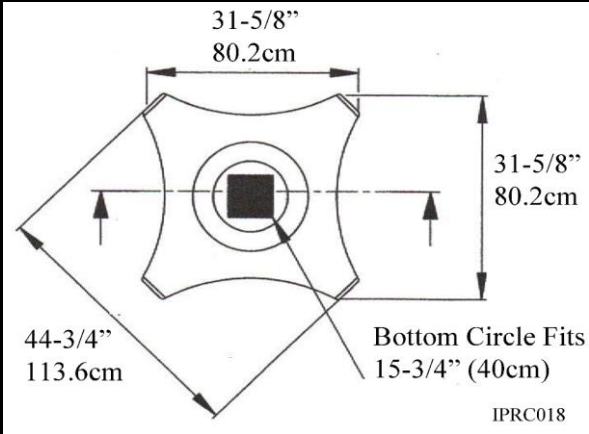


IPRC018	Bottom Circle Fits 15-3/4"			ITEM RC38
ECONPOLYMER	List	Each	50 +	
Whole	3622.41	2716.81	2173.45	
Split for Post Wrap	3748.05	2811.04	2248.83	
Split in Half (Pilaster)	3748.05	2811.04	2248.83	

Custom R-Corinthian Form

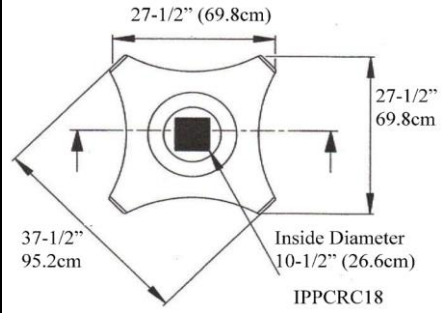


[click for Drawing/Order Form](#)



IPPCRC18-Load	Bottom Circle 15-3/4"			ITEM RC39
FRP-PolyComp™	List	Each	50 +	
Whole	3085.00	2313.75	1851.00	
Split in Half (Pilaster)	3477.90	2608.43	2086.74	
Whole White Painted	3181.78	2386.33	1909.07	
Split in Half White Painted	3574.69	2681.01	2144.81	

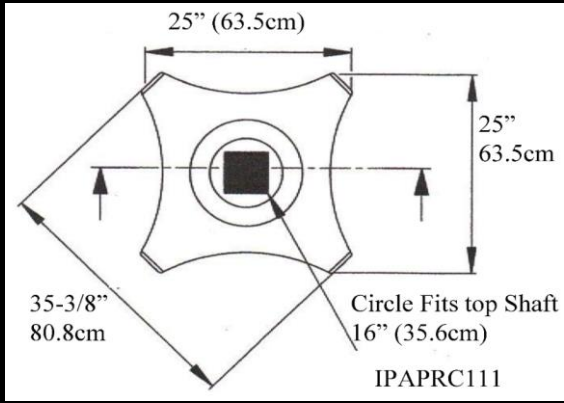
[click for Drawing/Order Form](#)



IPAPRC111	Fits 16" Top of Shaft			ITEM RC40
	List	Each	50 +	
ArchPolymer™	1389.18	1041.88	833.51	
GRG-NeoPlaster™	Custom Priced			

[click for Drawing/Order Form](#)

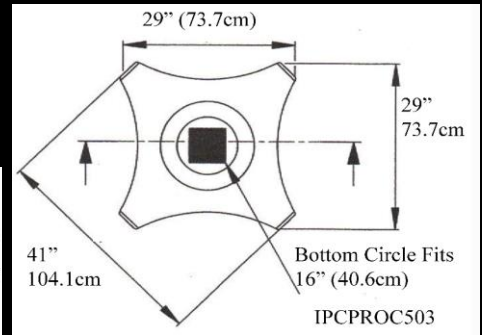
Custom R-Corinthian Form



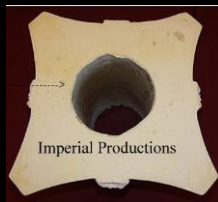


IPCROC503	Bottom Circle 16"		
	List	Each	50 +
ArchPolymer™	2159.63	1619.72	1295.78
PLASTER	2544.75	1908.56	1526.85

ITEM RC41



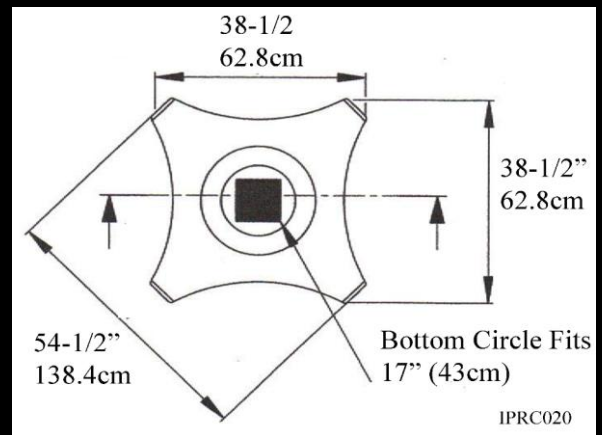
[click for Drawing/Order Form](#)



Custom R-Corinthian Form

IPRC020	Bottom Circle Fits 17"		
ECONPOLYMER	List	Each	50 +
Whole	4508.25	3381.19	2704.95
Split for Post Wrap	4716.48	3537.36	2829.89
Split in Half (Pilaster)	4716.48	3537.36	2829.89

ITEM RC42



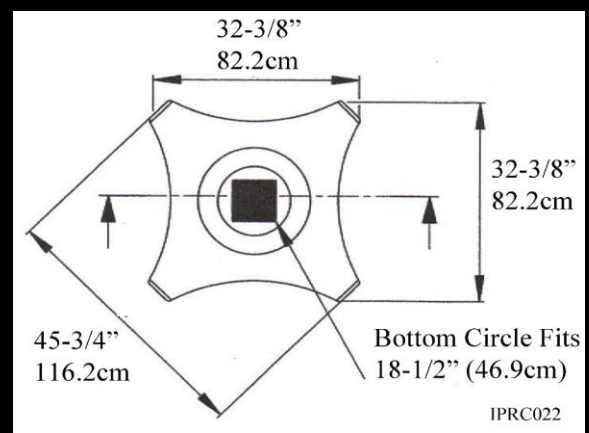
Custom R-Corinthian Form



[click for Drawing/Order Form](#)

IPRC022	Bottom Circle Fits 18-1/2"		
ECONPOLYMER	List	Each	50 +
Whole	3993.86	2995.40	2396.32
Split for Post Wrap	4202.09	3151.57	2521.25
Split in Half (Pilaster)	4202.09	3151.57	2521.25

ITEM RC43



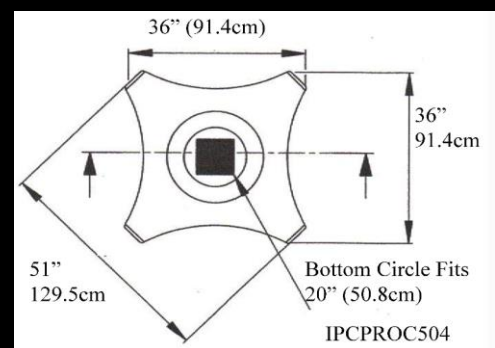
Custom R-Corinthian Form



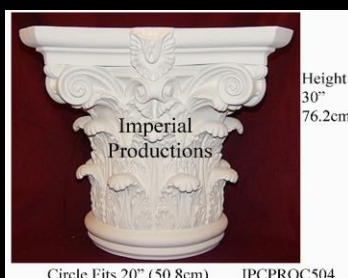
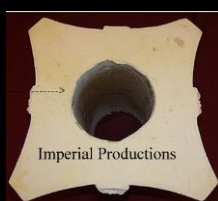
[click for Drawing/Order Form](#)

IPCROC504	Bottom Circle 20"		
	List	Each	50 +
ArchPolymer™	3329.63	2497.22	1997.78
PLASTER	3948.75	2961.56	2369.25

ITEM RC44



[click for Drawing/Order Form](#)



Custom R-Corinthian Form

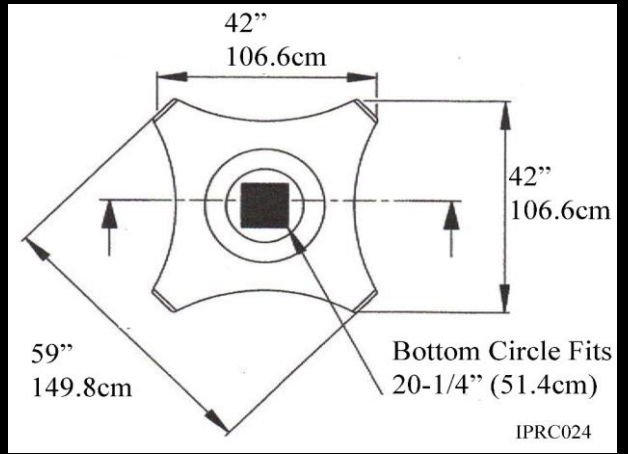


IPRC024	Bottom Circle Fits 20-1/4"			ITEM RC45
ECONPOLYMER	List	Each	50 +	
Whole	6268.64	4701.48	3761.18	
Split for Post Wrap	6476.86	4857.65	3886.12	
Split in Half (Pilaster)	6476.86	4857.65	3886.12	

Custom R-Corinthian Form



[click for Drawing/Order Form](#)

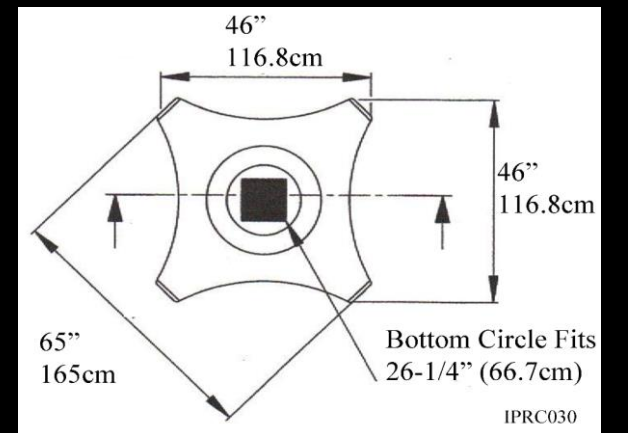


IPRC030	Bottom Circle Fits 26-1/4"			ITEM RC46
FIBERGLASS	List	Each	50 +	
Whole	9047.74	6785.80	5428.64	
Split for Post Wrap	9426.07	7069.55	5655.64	
Split in Half (Pilaster)	9426.07	7069.55	5655.64	

Custom R-Corinthian Form



[click for Drawing/Order Form](#)

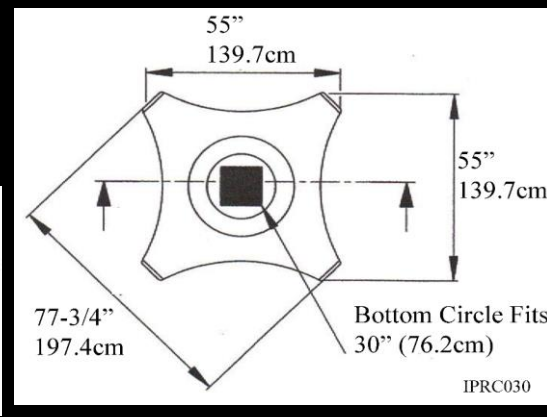


IPRC036	Bottom Circle Fits 30"			ITEM RC47
FIBERGLASS	List	Each	50 +	
Whole	custom priced			
Split for Post Wrap	custom priced			
Split in Half (Pilaster)	custom priced			

Custom R-Corinthian Form



[click for Drawing/Order Form](#)



**Need Gold Leaf ?
Imperial has Roman
Specialty Paints
call for Details**



Material Properties | **HARDWOODS**

Hardwoods are a Green Choice
Sanded to 220 Ready to Paint or Stain
Exterior Woods: Pine, Western Red Cedar, White Oak
Interior Woods:
Poplar, Bass, Red Oak, Maple, SapMaple, Ash
Cherry, African Mahogany, Walnut, Yellow Birch

Benefits
Total Customization to the Micro Inch
Solid Capitals and Bases



[click to Watch Youtube Video](#)

Material Properties | **PolyComp & FiberComp™**

made from 75% calcium carbonate, 25% Fiberglass Resins
FiberComp™ EconPolymer Caps and Bases (not primed)
PolyComp™ EconPolymer Caps (paint option)
All Whole Columns are Load Bearing
Always consult with your structural engineer for application

Benefits
Insect, Rot and Water Resistant
Minimal Thermal Transfer to avoid spider cracks
Optional Split for Post Wrap, Cut to Height or Corner Cuts



[click to Watch Youtube Video](#)

Material Properties | **ArchPolymer™**

ArchPolymer™ is high density Polyurethane
Lite weight - easy to cut and install for post wrap
Perfect for Theatres, Store Fixtures, Gardens
Not Load Bearing
Primed Ready to Paint by others

Benefits
Insect, Rot and Water Resistant
Minimal Thermal Transfer to avoid spider cracks



[click to Watch Youtube Video](#)

Material Properties | **StoneMold™ & Zeament™ Décor Post Wraps**

Architectural Artificial Stone Composite Interior Use only
made from Alpha Gypsum Cement with pigment
Not Load Bearing
Columns split with a reveal at the seam
12 Finishes 11 Finishes



[click to Watch Youtube Video](#)



Imperial Productions® Request for Quote

Download, Fill-in & Email to sales@imperialproductions.com

Name / Company: _____

Phone _____ Email _____

Billing Address: _____

City: _____ Prov / State _____

PC / Zip Code _____

Ship to Address: _____

City: _____ Prov / State _____

PC / Zip Code _____

Product Code: _____

Quantity: _____

Notes: _____



Imperial Productions®

1-800-399-7585

Imperial Productions & Distribution Inc Toronto / New York

email sales@imperialproductions.com copyright 2016 MRDCI All Rights Reserved