



# Roman Ionic Capital Custom Form

Martin Richards Design™  
COLLECTION



Material

Hardwood \_\_\_\_\_

ArchPolymer™

GRG - NeoPlaster™

Zeament™

Use (circle)  
Interior or Exterior

Bottom Outside Diameter \_\_\_\_\_

Height  
\_\_\_\_\_

Are you Wrapping a load bearing post ?

YES NO

If yes what is the size ?

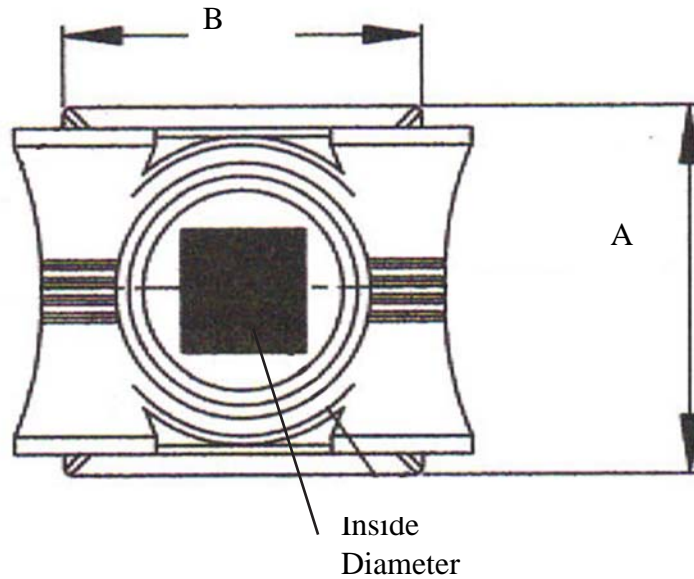
Diameter

\_\_\_\_\_

or Circumference

\_\_\_\_\_

take a string wrap it around the column at the top - provide the length of the string



[www.imperialproductions.com](http://www.imperialproductions.com) 1-800-399-7585

Imperial Productions & Distribution Inc Toronto / New York

email [sales@imperialproductions.com](mailto:sales@imperialproductions.com) copyright 2016 MRDCI All Rights Reserved

Fall 2018