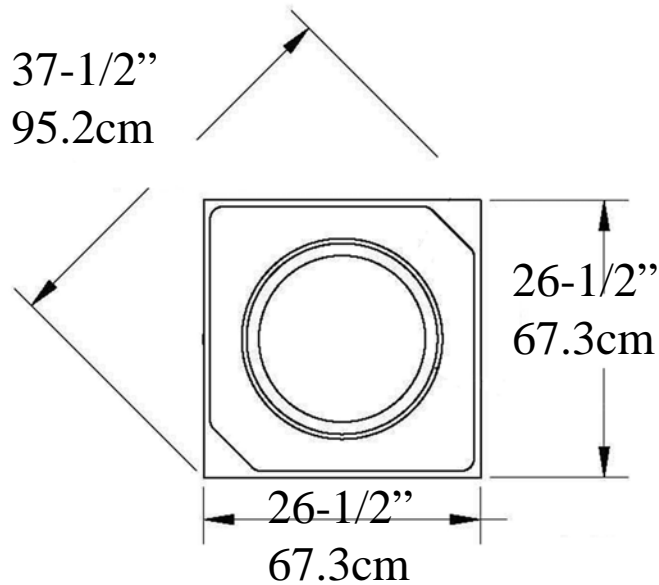




# Attic Base

## IPPCAB20 Polymer Composite

Martin Richards Design.  
COLLECTION



Height  
Base & Plinth  
10-5/8"  
26.9 cm



Weight 106 lb (48 kg)

\* All specifications subject to change without notice,  
Final products & Measurements may vary from this brochure Manufacturing tolerences +/- 1/8" (.31cm)



[www.imperialarchitecture.com](http://www.imperialarchitecture.com)

Imperial Productions & Distribution Inc Toronto / New York

email [sales@imperialproductions.com](mailto:sales@imperialproductions.com) copyright 2016 MRDCI All Rights Reserved

1-800-399-7585

Fall 2018