

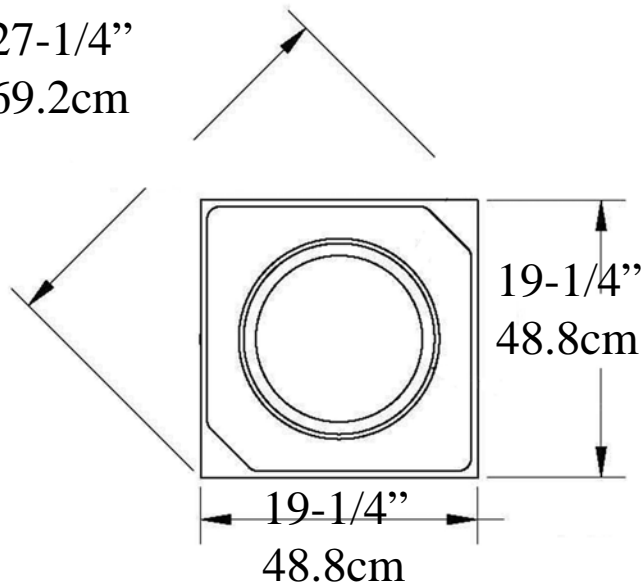


Attic Base

IPPCAB14 Polymer Composite

Martin Richards Design.
COLLECTION

27-1/4"
69.2cm



Height
Base & Plinth
8-3/8"
21.27 cm



Hole
14-3/8"
36.5cm



Weight 34 lb (15.44 kg)

* All specifications subject to change without notice,
Final products & Measurements may vary from this brochure Manufacturing tolerances +/- 1/8" (.31cm)



www.imperialarchitecture.com

Imperial Productions & Distribution Inc Toronto / New York

email sales@imperialproductions.com copyright 2016 MRDCI All Rights Reserved

1-800-399-7585

Fall 2018