

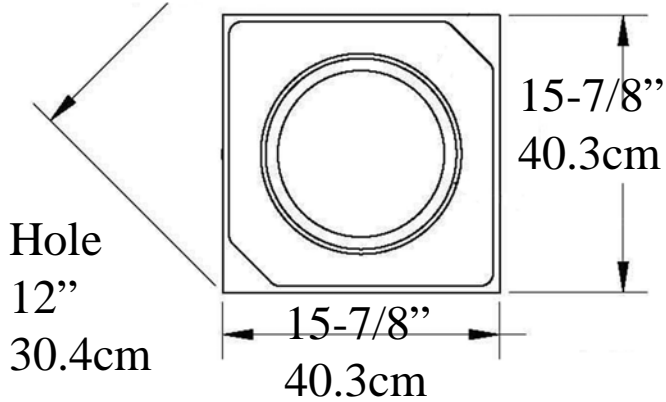


Attic Base

IPPCAB12 Polymer Composite

Martin Richards Design
COLLECTION

22-1/2"
57.1cm



Height
Base & Plinth
6-3/8"
16.1 cm



Weight 12 lb (5.4 kg)

* All specifications subject to change without notice,
Final products & Measurements may vary from this brochure Manufacturing tolerences +/- 1/8" (.31cm)



www.imperialarchitecture.com

Imperial Productions & Distribution Inc Toronto / New York

email sales@imperialproductions.com copyright 2016 MRDCI All Rights Reserved

1-800-399-7585

Fall 2018