



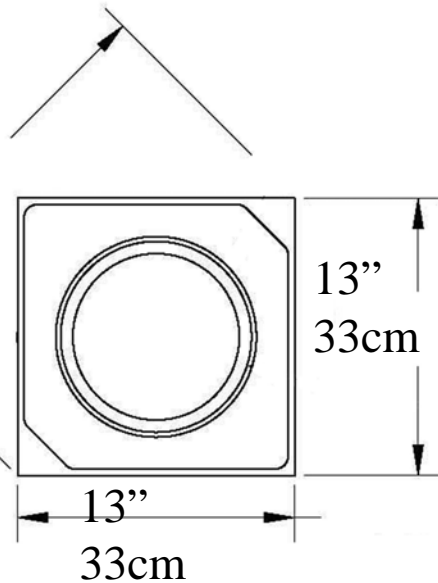
# Attic Base

## IPPCAB10 Polymer Composite

Martin Richards Design  
COLLECTION

18-3/8"  
46.6cm

Hole  
9-7/8"  
25cm



Total Height  
5-5/8"  
14.28 cm

Plinth Height  
1-7/8"  
4.76cm

Round  
3-3/4"  
9.5cm



Weight 11 lb (4.98 kg)

\* All specifications subject to change without notice,  
Final products & Measurements may vary from this brochure Manufacturing tolerences +- 1/8" (.31cm)



[www.imperialarchitecture.com](http://www.imperialarchitecture.com)

Imperial Productions & Distribution Inc Toronto / New York

email [sales@imperialproductions.com](mailto:sales@imperialproductions.com) copyright 2016 MRDCI All Rights Reserved

1-800-399-7585

Fall 2018