

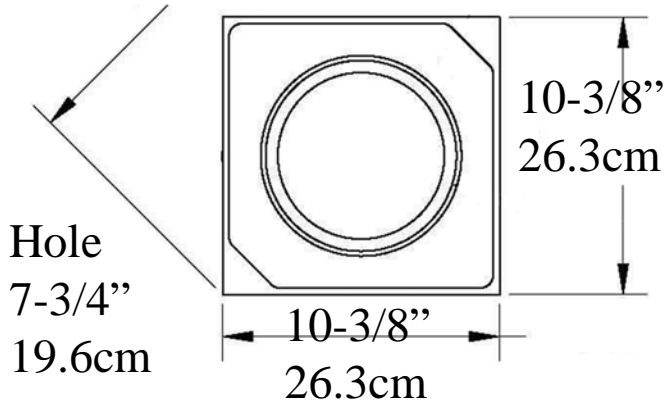


Attic Base

IPPCAB08 Polymer Composite

Martin Richards Design.
COLLECTION

14-5/8"
37.1cm



Total Height
4-5/8"
11.74 cm

Plinth Height
1-1/4" (3.17cm)

Round Height
3-3/8"(8.57cm)



Weight 9 lb (4.09 kg)

* All specifications subject to change without notice,
Final products & Measurements may vary from this brochure Manufacturing tolerences +- 1/8" (.31cm)



www.imperialarchitecture.com

Imperial Productions & Distribution Inc Toronto / New York

email sales@imperialproductions.com copyright 2016 MRDCI All Rights Reserved

1-800-399-7585

Fall 2018