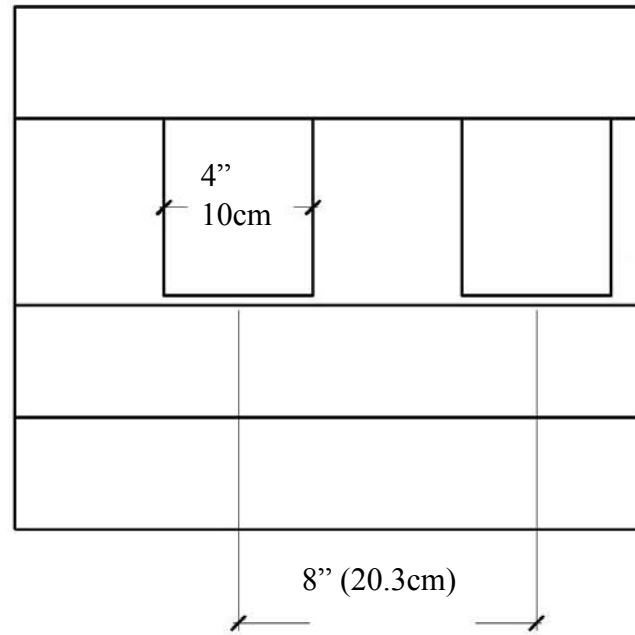
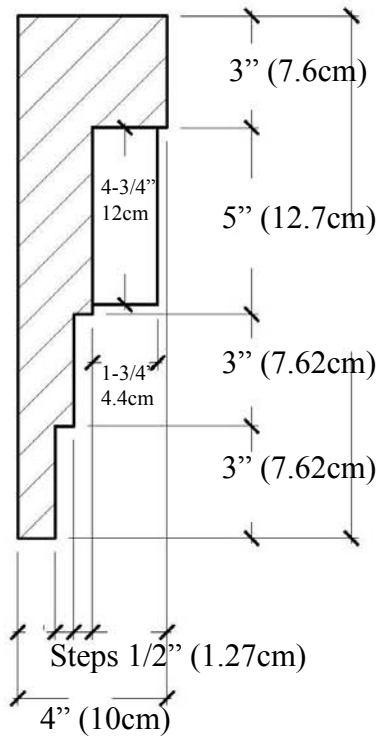




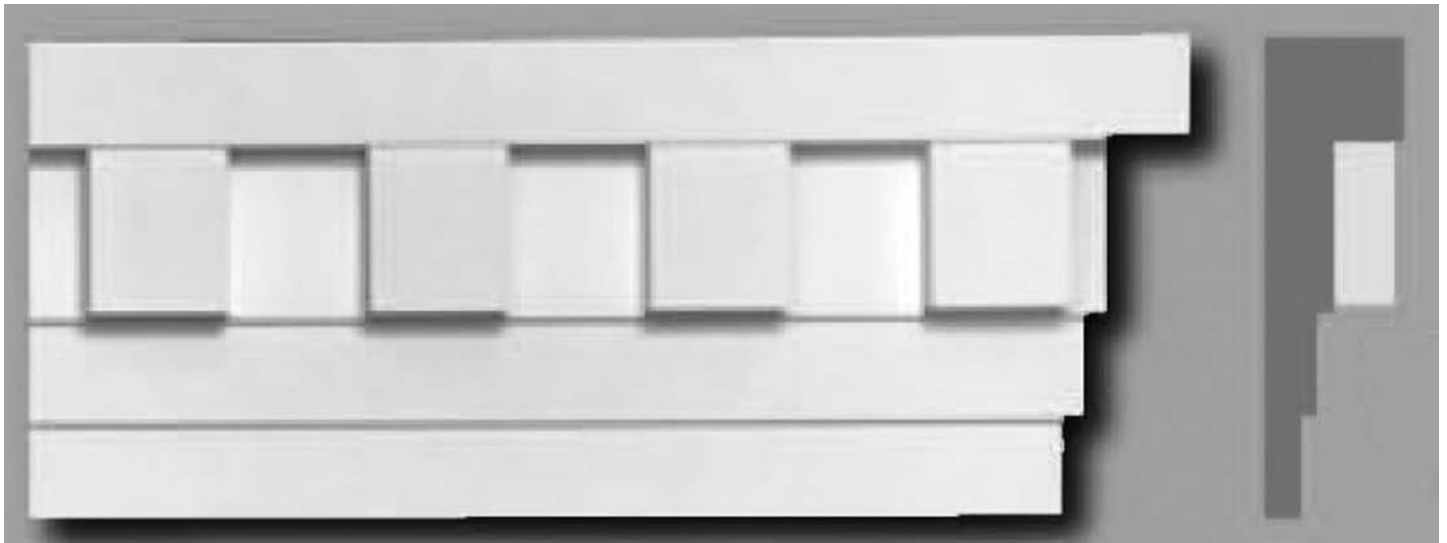
Dentil Block on Board

IPDS1036 Architrade

Martin Richards Design
COLLECTION



Length 12 Feet (3.657 meters)



* Use the approved adhesive for warranty to be valid

* assembly required, drawing not to scale

* All specifications subject to change without notice, Final products & Measurements may vary from this brochure



www.imperialproductions.com 1-800-399-7585, 416-264-6097 Fax 416-264-6098

Imperial Productions & Distribution Inc Toronto / New York

email sales@imperialproductions.com copyright 2016 MRDCI All Rights Reserved

Vol 7: Spring 2017