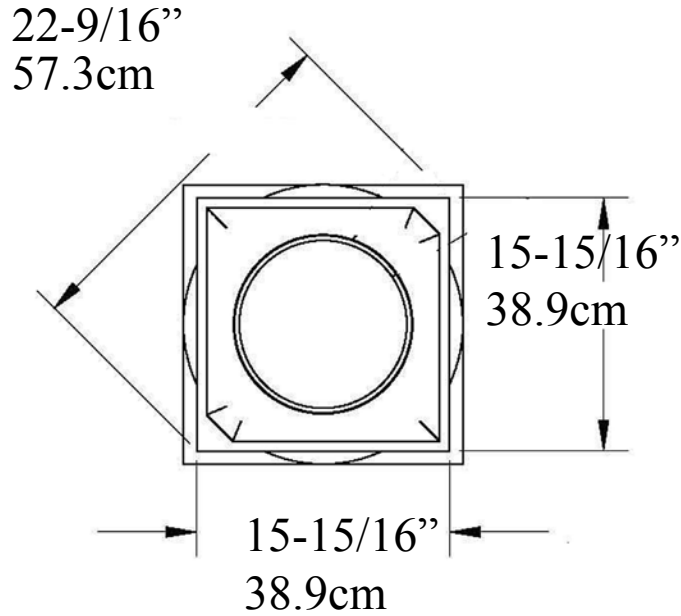




Attic Base

IPATTC122 ArchPolymer™

Martin Richards Design
COLLECTION



Total Height
6-3/8" (16.1cm)
Plinth 1-7/8" (4.76cm)



Weight
call

Made from Molds
High density Synthetic Polyurethane
Interior & Exterior Use
Insect, Rot, Water Resistant
Same Density as White Pine

* All specifications subject to change without notice,
 Final products & Measurements may vary from this brochure Manufacturing tolerances +/- 1/8" (.31cm)



www.imperialarchitecture.com

Imperial Productions & Distribution Inc Toronto / New York

email sales@imperialproductions.com copyright 2016 MRDCI All Rights Reserved

1-800-399-7585

Fall 2018