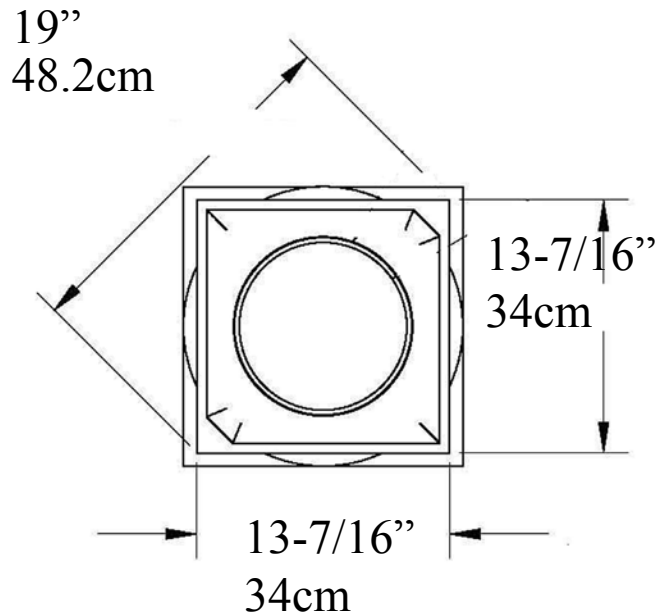




# Attic Base IPATTC121 ArchPolymer™

Martin Richards Design...  
COLLECTION



Total Height  
5-1/2" (13.9cm)  
Top Round: 3-7/8" (9.8cm)  
Plinth: 1-5/8" (4.1cm)



Weight  
2 lb  
.91 kg

*Made from Molds*  
**High density Synthetic Polyurethane**  
**Interior & Exterior Use**  
**Insect, Rot, Water Resistant**  
**Same Density as White Pine**

\* All specifications subject to change without notice,  
Final products & Measurements may vary from this brochure Manufacturing tolerances +/- 1/8" (.31cm)



[www.imperialarchitecture.com](http://www.imperialarchitecture.com)

Imperial Productions & Distribution Inc Toronto / New York

email [sales@imperialproductions.com](mailto:sales@imperialproductions.com) copyright 2016 MRDCI All Rights Reserved

1-800-399-7585

Fall 2018