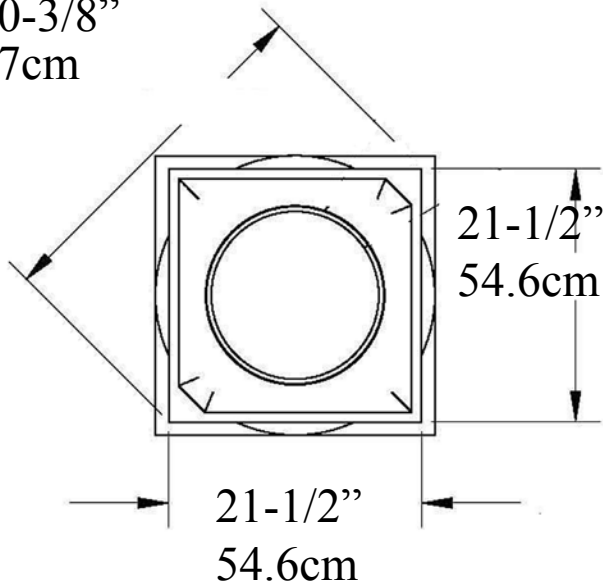




Attic Base IPATTC104 ArchPolymer™

Martin Richards Design
COLLECTION

Diagonal
30-3/8"
77cm



Total Height
9-1/2" (24.1cm)



Made from Molds

High density Synthetic Polyurethane
Interior & Exterior Use
Insect, Rot, Water Resistant
Same Density as White Pine

* All specifications subject to change without notice,
Final products & Measurements may vary from this brochure Manufacturing tolerances +/- 1/8" (.31cm)



www.imperialarchitecture.com

Imperial Productions & Distribution Inc Toronto / New York

email sales@imperialproductions.com copyright 2016 MRDCI All Rights Reserved

1-800-399-7585

Fall 2018