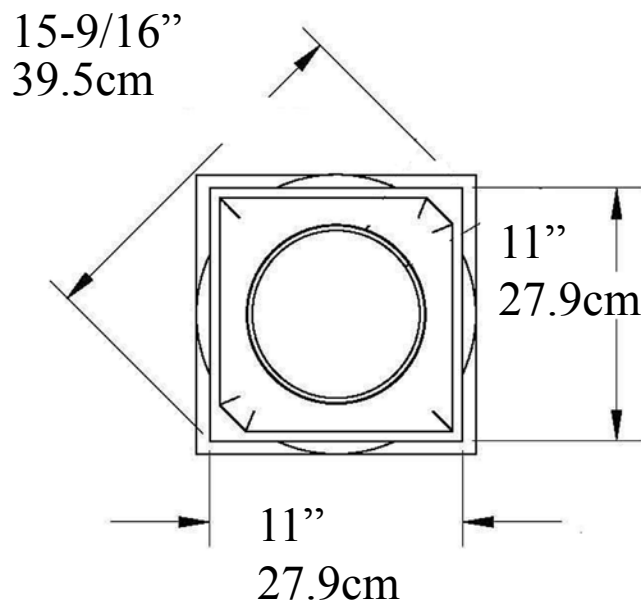




# Attic Base

## IPATTC100 ArchPolymer™

Martin Richards Design...  
COLLECTION



Total Height

4-3/4" (12cm)

Top Round: call

Plinth: call



Weight

1.1 lb

.5 kg

### *Made from Molds*

High density Synthetic Polyurethane

Interior & Exterior Use

Insect, Rot, Water Resistant

Same Density as White Pine

\* All specifications subject to change without notice,

Final products & Measurements may vary from this brochure Manufacturing tolerances +/- 1/8" (.31cm)



[www.imperialarchitecture.com](http://www.imperialarchitecture.com)

Imperial Productions & Distribution Inc Toronto / New York

email [sales@imperialproductions.com](mailto:sales@imperialproductions.com) copyright 2016 MRDCI All Rights Reserved

1-800-399-7585

Fall 2018