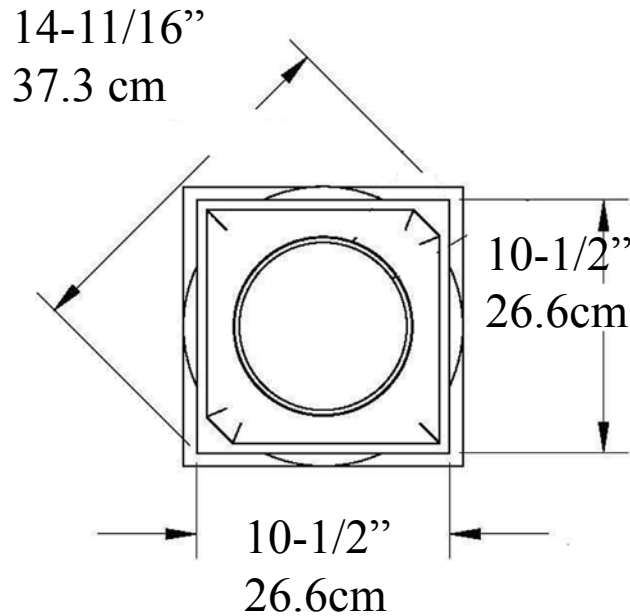




Attic Base IPAB8 EconPolymer™

Martin Richards Design™
COLLECTION



Total Height
4-3/8" (11.1cm)
Top Round:
3-1/16" (7.78cm)
Plinth: 1-5/16" (3.34cm)



Weight
1/2 lb
.23 kg

Made from Molds
High density Synthetic Polyurethane
Interior & Exterior Use
Insect, Rot, Water Resistant
Same Density as White Pine

* All specifications subject to change without notice,
Final products & Measurements may vary from this brochure Manufacturing tolerances +/- 1/8" (.31cm)



www.imperialarchitecture.com

Imperial Productions & Distribution Inc Toronto / New York

email sales@imperialproductions.com copyright 2016 MRDCI All Rights Reserved

1-800-399-7585

Fall 2018