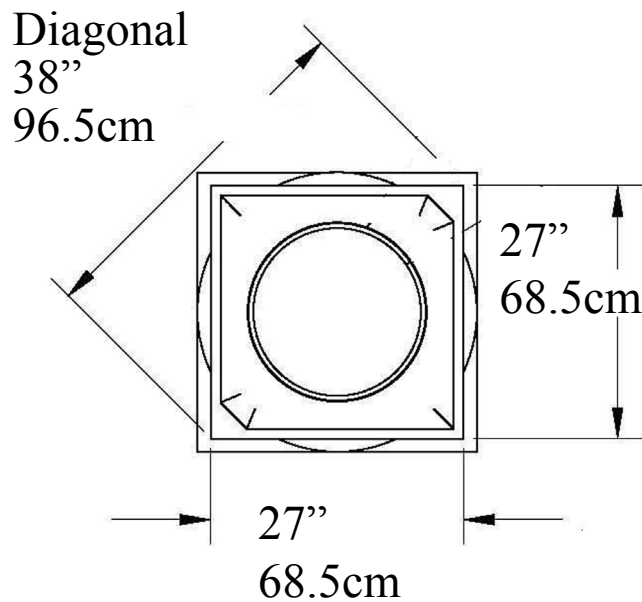




# Attic Base IPAB20 EconPolymer™

Martin Richards Design,™  
COLLECTION



Total Height  
12-7/8" (32.7cm)  
Top Round: call  
Plinth: call



Weight  
54 lb  
24.5 kg

Made from Molds  
Synthetic Polyurethane  
Interior & Exterior Use  
Insect, Rot, Water Resistant  
Same Density as White Pine

\* All specifications subject to change without notice,  
Final products & Measurements may vary from this brochure Manufacturing tolerances +/- 1/8" (.31cm)



[www.imperialarchitecture.com](http://www.imperialarchitecture.com)

Imperial Productions & Distribution Inc Toronto / New York

email [sales@imperialproductions.com](mailto:sales@imperialproductions.com) copyright 2016 MRDCI All Rights Reserved

1-800-399-7585

Fall 2018