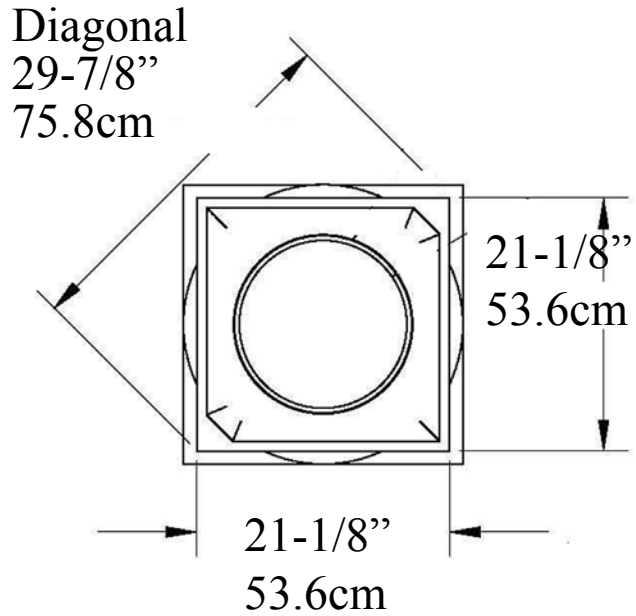




# Attic Base IPAB16 EconPolymer™

Martin Richards Design.  
COLLECTION



Total Height  
10-1/8" (25.7cm)  
Top Round: call  
Plinth: call



Weight  
17 lb  
7.72 kg

*Made from Molds*  
**Synthetic Polyurethane**  
**Interior & Exterior Use**  
**Insect, Rot, Water Resistant**  
**Same Density as White Pine**

\* All specifications subject to change without notice,  
Final products & Measurements may vary from this brochure Manufacturing tolerences +/- 1/8" (.31cm)



[www.imperialarchitecture.com](http://www.imperialarchitecture.com)

Imperial Productions & Distribution Inc Toronto / New York

email [sales@imperialproductions.com](mailto:sales@imperialproductions.com) copyright 2016 MRDCI All Rights Reserved

1-800-399-7585

Fall 2018